

- 3/2-way pressure operated valve
- NC - Valve normally closed (as standard)
- NO - Valve normally open (as option)
- DW - Valve with double acting actuator (as option)

Direct pressure controlled valve. The valve seat is opened against a spring force via the control medium.

■ **Valve for clean, gaseous and liquid media**



TECHNICAL SPECIFICATIONS

Type of control	Direct-pressure operated
Design	Poppet design
Connection	Threaded G1/2 - G2 DIN ISO 228/1
Installation	Preferable with actuator upright
Pressure	0 - 40 bar (see table on page 2)
Medium	Clean, neutral, gaseous and liquid media
max. viscosity	600 mm ² /s
Temperature range	Medium: -40 °C up to +200 °C Ambient: -10 °C up to +60 °C
Body material	Red brass RG5 (PN16) Stainless steel 1.4571 (only G1/2) Stainless steel 1.4408 (PN40)
Metallic inner parts	Brass and stainless steel
Sealing	PTFE
Pilot pressure	4 - 10 bar max pressure with at least 6 bar
Pilot medium	Clean and neutral gases Other pilot media on request

Pilot valve	2/131-31-1702-C182
-------------	---------------------------



3/2-way direct operated, NC
G1/8, orifice 1.5mm, 0-8 bar
Aluminum / Stainless steel / FKM
with Cnomo-coil as well as with
integrated screw connection for
easy assembly

	A7231/1002/...
--	-----------------------



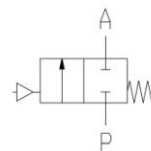
3/2-way direct operated, NC
G1/8, orifice 1.5mm, 0-8 bar
Brass / Stainless steel / FKM

VALVE FEATURES

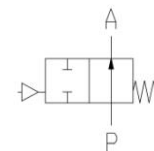
- No pressure difference required
- High life time
- High-quality materials
- Reliable and sturdy sealing elements
- Long-term availability of spare parts
- NO - non-pressurized open as option
- DW - double acting as option

FUNCTION

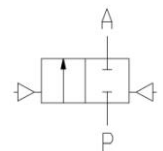
NC – non
pressurized
closed



NO – non
pressurized open



DW - double
acting



CERTIFICATES

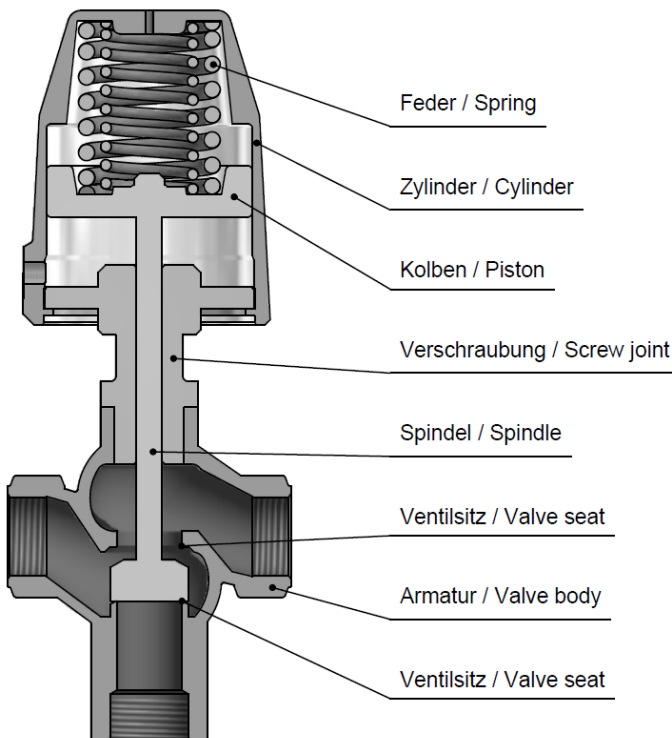


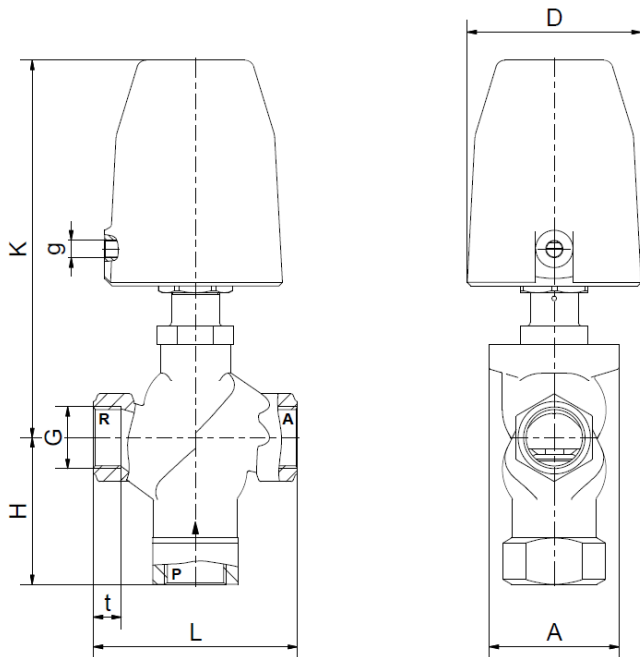
ORDERING SYSTEM

Type	Conn.	Housing	Seal	Actuator	Option
. 7 8	2 3	/ 1 1	0 4	/ 7 0 0 8	- H A
23 G 1/2	24 G 3/4	08 Stainl. st. 1.4408	04 PTFE	7. Normally closed	
25 G 1	26 G 1 1/4	11 Red brass RG5		8. Normally open	
27 G 1 1/2	28 G 2			9. Double acting	
				0 Standard actuator	
				3 Act. Stainless steel	
				5 Act. chem. nickel pl.	
					.5 50 mm
					.8 80 mm
					.3 125 mm

					max. pressure with actuator					
G	Seat Ø mm	Kv-value m ³ /h		Standard type	7.05		7.08		7.13	
		R-A	P-A		Red brass	St. steel	Red brass	St. steel	Red brass	St. steel
1/2	18	3,8	5,0	.7823/..04/	0-12	0-12	0-16	0-40	-	-
3/4	20	6,2	8,3	.7824/..04/	0-9	0-9	0-16	0-25	-	0-40
1	25	10,1	14,4	.7825/..04/	0-5	0-5	0-16	0-16	-	0-40
1 1/4	32	15,1	19,6	.7826/..04/	-	-	0-8	0-8	0-16	0-16
1 1/2	40	21,8	30,0	.7827/..04/	-	-	0-5	0-5	0-9	0-9
2	50	40,0	53,0	.7828/..04/	-	-	0-2	0-2	0-5	0-5

					max. pressure with actuator UN					
G	Seat Ø mm	Kv-value m ³ /h		Standard type	7.05-UN		7.08-UN		7.13-UN	
		R-A	P-A		Red brass	St. steel	Red brass	St. steel	Red brass	St. steel
1/2	18	3,8	5,0	.7823/..04/	0-8	0-8	0-16	0-40	-	-
3/4	20	6,2	8,3	.7824/..04/	0-6	0-6	0-16	0-25	-	0-40
1	25	10,1	14,4	.7825/..04/	0-3	0-3	0-10	0-10	-	0-40
1 1/4	32	15,1	19,6	.7826/..04/	-	-	0-6	0-6	0-12	0-16
1 1/2	40	21,8	30,0	.7827/..04/	-	-	0-4	0-4	0-9	0-9
2	50	40,0	53,0	.7828/..04/	-	-	0-2	0-2	0-5	0-5





DIMENSIONS

Red brass body

Act.	7.05			7.08						7.13		
Type	7823	7824	7825	7823	7824	7825	7826	7827	7828	7826	7827	7828
G	1/2	3/4	1	1/2	3/4	1	1 1/4	1 1/2	2	1 1/4	1 1/2	2
A	75	70	70	75	70	70	70	76	88	70	76	88
D	62	62	62	94	94	94	94	94	94	141	141	141
H	73	70	79	73	70	79	77	81	92	77	81	92
K	150	158	167	196	204	204	209	212	212	322	325	325
L	100	100	110	100	100	110	120	130	150	120	130	150
g	1/8	1/8	1/8	1/8	1/8	1/8	1/8	1/8	1/8	1/4	1/4	1/4
t	13	14	15	13	14	15	15	15	18	15	15	18
kg	2,3	2,4	2,9	2,5	2,6	3,2	3,8	4,5	5,8	6,5	6,9	8,5

Stainless steel body

Act.	7.05			7.08						7.13		
Type	7823	7824	7825	7823	7824	7825	7826	7827	7828	7826	7827	7828
G	1/2	3/4	1	1/2	3/4	1	1 1/4	1 1/2	2	1 1/4	1 1/2	2
A	54	70	70	54	70	70	96	96	112	96	96	112
D	62	62	62	94	94	94	94	94	94	141	141	141
H	33/59	67	69	33/59	67	69	85	85	102	85	85	102
K	177	148	148	223	194	194	202	202	210	296	296	304
L	69	96	96	69	96	96	140	140	168	140	140	168
g	1/8	1/8	1/8	1/8	1/8	1/8	1/8	1/8	1/8	1/4	1/4	1/4
t	14	16	16	14	16	16	22	22	22	22	22	22
kg	3,4	2,5	2,8	3,6	2,7	3,1	4,5	4,2	4,5	7,5	7,3	8,8