

3/2-way pressure operated valve  
 NC - Valve normally closed (as standard)  
 NO - Valve normally open (as option)  
 DW - Valve with double acting actuator (as option)

Direct pressure controlled valve. The valve seat is opened against a spring force via the control medium.

■ Valve for clean, gaseous and liquid media



## TECHNICAL SPECIFICATIONS

Type of control	Direct-pressure operated
Design	Poppet design
Connection	Flanged DN15 - DN150 EN 1092-1 Form B1/B2
Installation	Preferable with actuator upright
Pressure	0 - 16 bar (see table on page 2)
Medium	Clean, neutral, gaseous and liquid media
max. viscosity	400 mm <sup>2</sup> /s
Temperature range	Medium: -40 °C up to +200 °C Ambient: -10 °C up to +60 °C
Body material	Spheroidal graphite EN-GJS-400-18-LT Cast iron EN-GJL-250 Cast steel GP240 GH
Metallic inner parts	Brass and Stainless steel
Sealing	NBR, PTFE
Pilot pressure	4 - 10 bar max pressure with at least 6 bar
Pilot medium	Clean and neutral gases Other pilot media on request

Pilot valve **2/131-31-1702-C182**



3/2-way direct operated, NC  
 G1/8, orifice 1.5mm, 0-8 bar  
 Aluminum / Stainless steel / FKM  
 with Cnomo-coil as well as with integrated screw connection for easy assembly

**A7231/1002/....**



3/2-way direct operated, NC  
 G1/8, orifice 1.5mm, 0-8 bar  
 Brass / Stainless steel / FKM

## VALVE FEATURES

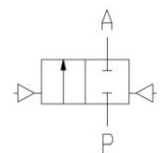
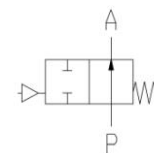
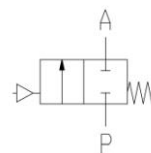
- No pressure difference required
- High life time
- High-quality materials
- Reliable and sturdy sealing elements
- Long-term availability of spare parts
- NO - non-pressurized open as option
- DW - double acting as option

## FUNCTION

NC – non pressurized closed

NO – non pressurized open

DW - double acting



## CERTIFICATES

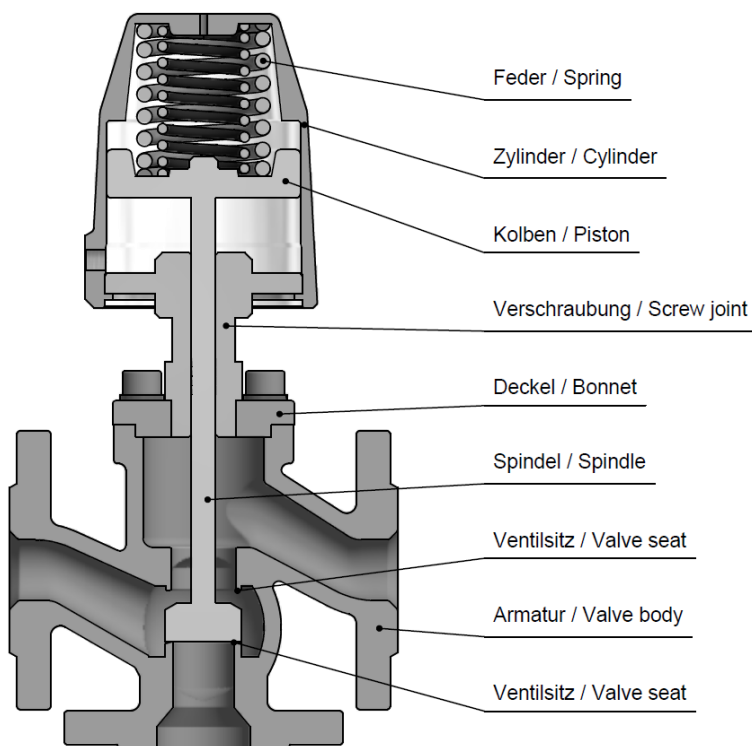


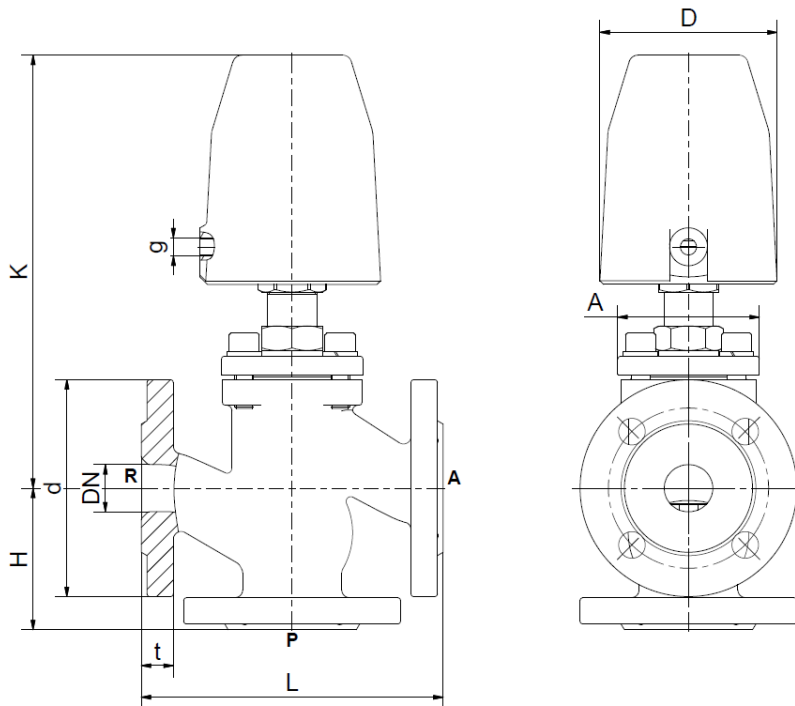
## ORDERING SYSTEM

Type	Conn.	Housing	Seal	Actuator	Option
. 7 9	0 3 /	0 4	0 1 /	7 0 1 3 -	H A
01 DN15		03 EN-GJS-400-18-LT		7 . Normally closed	
02 DN20		04 EN-GJL-250		8 . Normally open	
03 DN25		05 GP240 GH		9 . Double acting	
04 DN32			01 NBR	. 0 Standard actuator	
05 DN40			04 PTFE	. 3 Act. Stainless steel	
06 DN50				. 5 Act. chem. nickel pl.	
07 DN65					. 5 50 mm
08 DN80					. 8 80 mm
09 DN100					. 3 125 mm
10 DN125					
11 DN150					

## TECHNICAL FEATURES

DN	Seat Ø mm	Kv-value m <sup>3</sup> /h	Standard type	max. pressure with actuator					
				7.05		7.08		7.13	
				NC	UN	NC	UN	NC	UN
15	21	6,8	.7901/0501/	0-5	0-4	0-16	0-12	-	-
20	21	8,8	.7902/..01/	0-5	0-4	0-16	0-12	-	-
25	27	11,5	.7903/..01/	0-3	0-3	0-14	0-8	0-16	0-16
32	31	18,0	.7904/..01/	-	-	0-9	0-8	0-16	0-16
40	41	26,0	.7905/..01/	-	-	0-3	0-3	0-16	0-16
50	51	38,0	.7906/..01/	-	-	0-2	0-2	0-16	0-16
65	66	62,0	.7907/..01/	-	-	-	-	0-16	0-15
80	80		.7908/..01/	-	-	-	-	0-10	0-10
100	100		.7909/..01/	-	-	-	-	0-10	0-10
125	125		.7910/..01/	-	-	-	-	0-8	0-8
150	150		.7911/..01/	-	-	-	-	0-8	0-8





## DIMENSIONS

Actuator	7.05			7.08					
Type	.7901	.7902	.7903	.7901	.7902	.7903	.7904	.7905	.7906
DN	15	20	25	15	20	25	32	40	50
A	75	75	75	75	75	75	75	90	100
d	95	105	115	95	105	115	140	150	165
D	62	62	62	94	94	94	94	94	94
H	65	70	75	65	70	75	75	90	100
K	205	205	196	226	226	230	255	265	260
L	130	150	160	130	150	160	180	200	230
g	1/8	1/8	1/8	1/8	1/8	1/8	1/8	1/8	1/8
t	14	16	17	14	16	17	18	19	21
kg	4,5	5,5	6,7	4,8	6,0	7,0	10,0	12,5	15,0

Actuator	7.13								
Type	.7903	.7904	.7905	.7906	.7907	.7908	.7909	.7910	.7911
DN	25	32	40	50	65	80	100	125	150
A	75	75	90	100	112	136	195	235	295
d	115	140	150	165	185	200	220	270	300
D	141	141	141	141	141	141	141	141	141
H	75	75	90	100	120	130	150	200	300
K	315	340	360	370	390	415	430	470	460
L	160	180	200	230	290	310	350	400	480
g	1/4	1/4	1/4	1/4	1/4	1/4	1/4	1/4	1/4
t	17	18	19	21	22	24	25	26	28
kg	10,0	12,5	16,5	18,5	26,5	34,0	48,0	77,0	134,0