

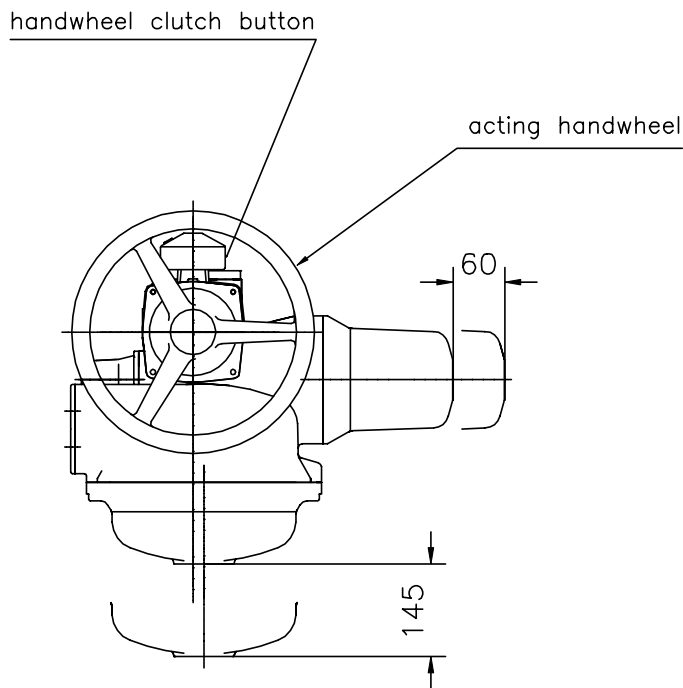
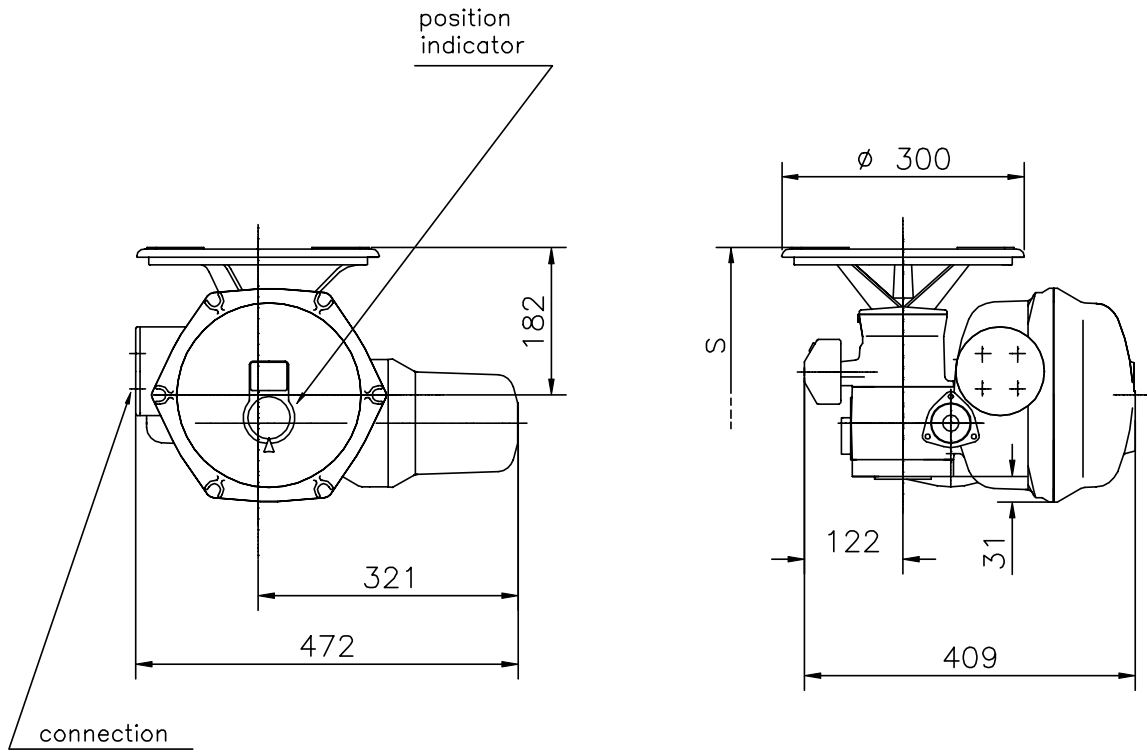


Dimensional drawings

ST Range

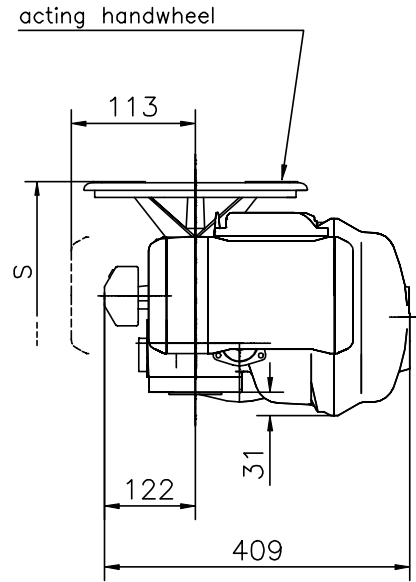
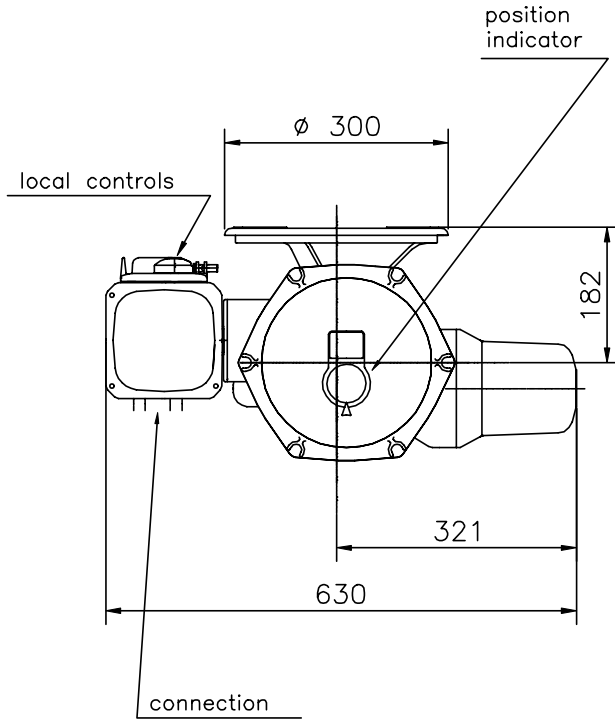
*All data in this brochure are given for information only
and are subject to change without notice.*

Standard ST6



Weight: 25 Kg

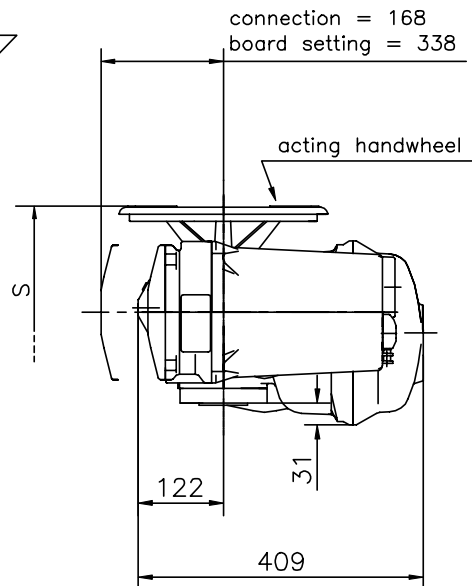
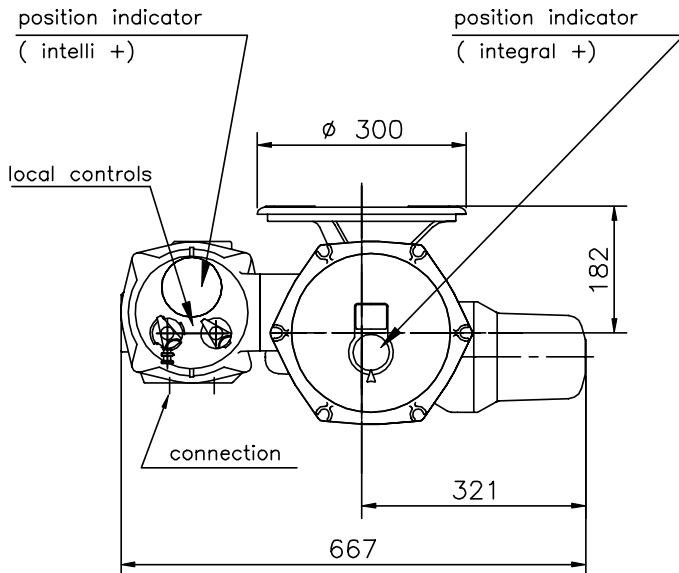
ST6 with INTEGRAL+ or POSIGAM+ for waterproof applications



Weight: 25 Kg

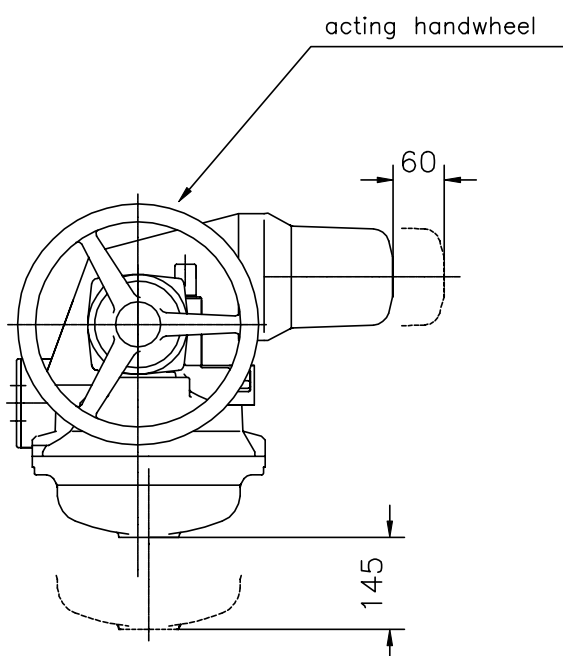
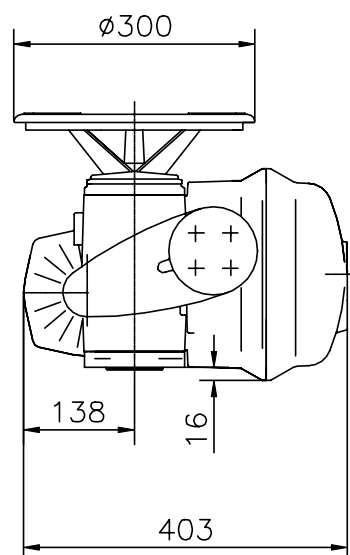
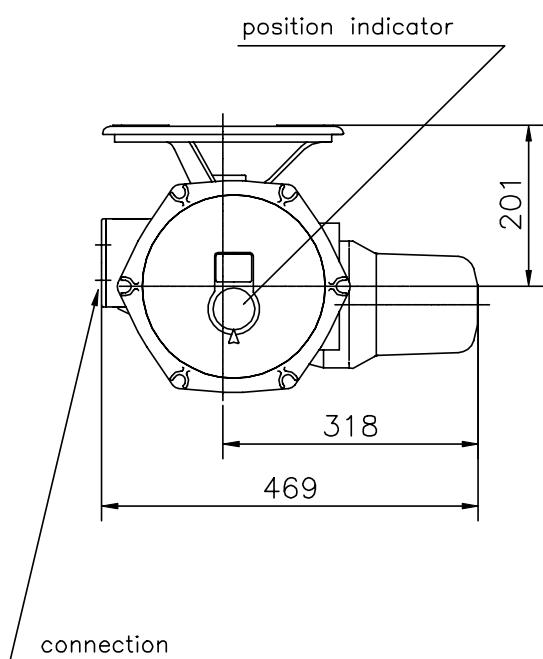
Dimensional drawings

ST6 with INTEGRAL+, POSIGAM+ for explosionproof applications or INTELLI+



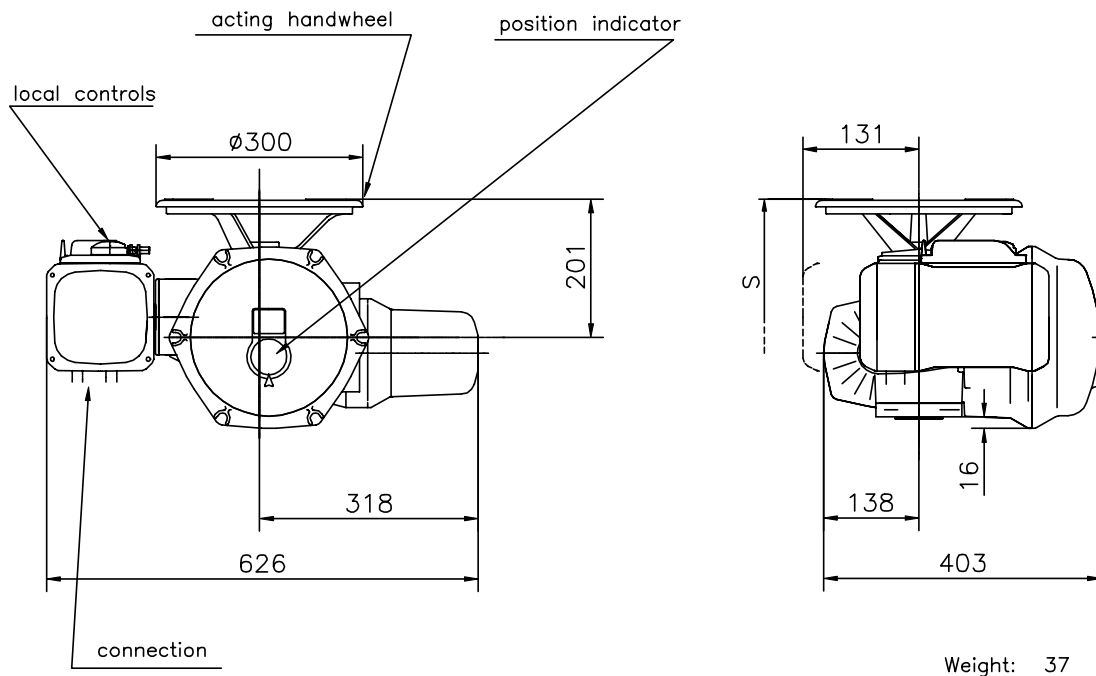
Weight: 35 Kg

Standard ST14

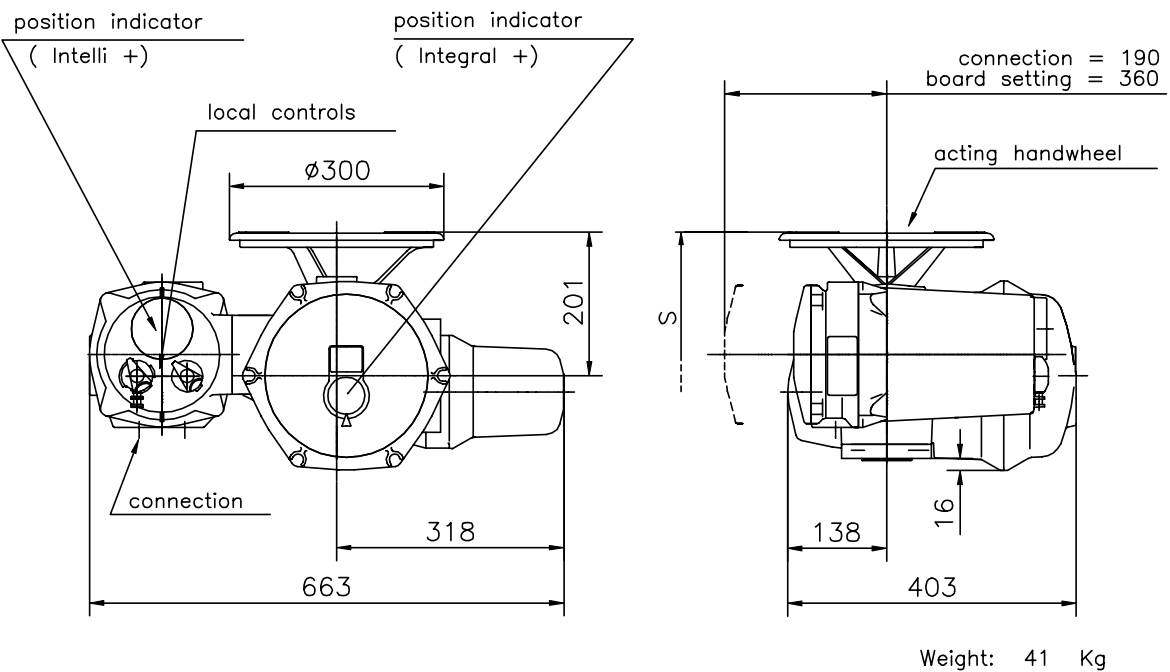


Weight: 31Kg

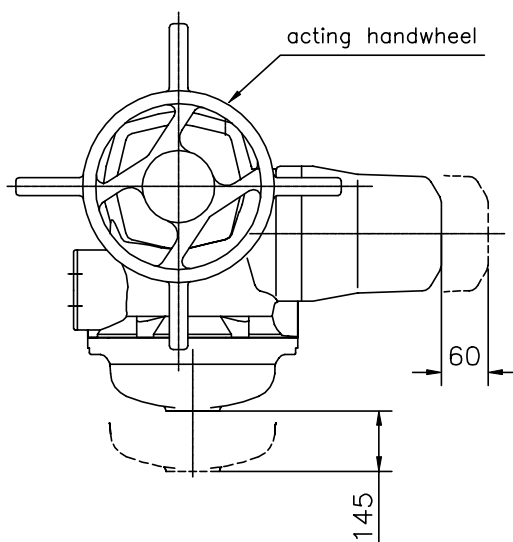
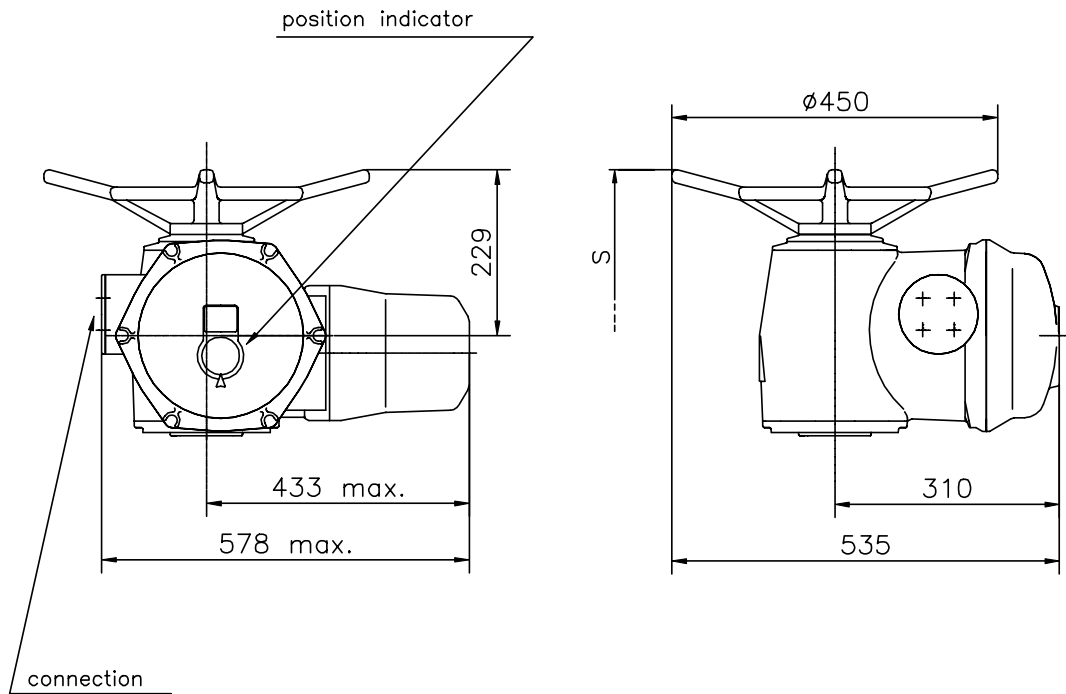
ST14 with INTEGRAL+ or POSIGAM+ for waterproof applications



ST14 with INTEGRAL+, POSIGAM+ for explosionproof applications or INTELLI+

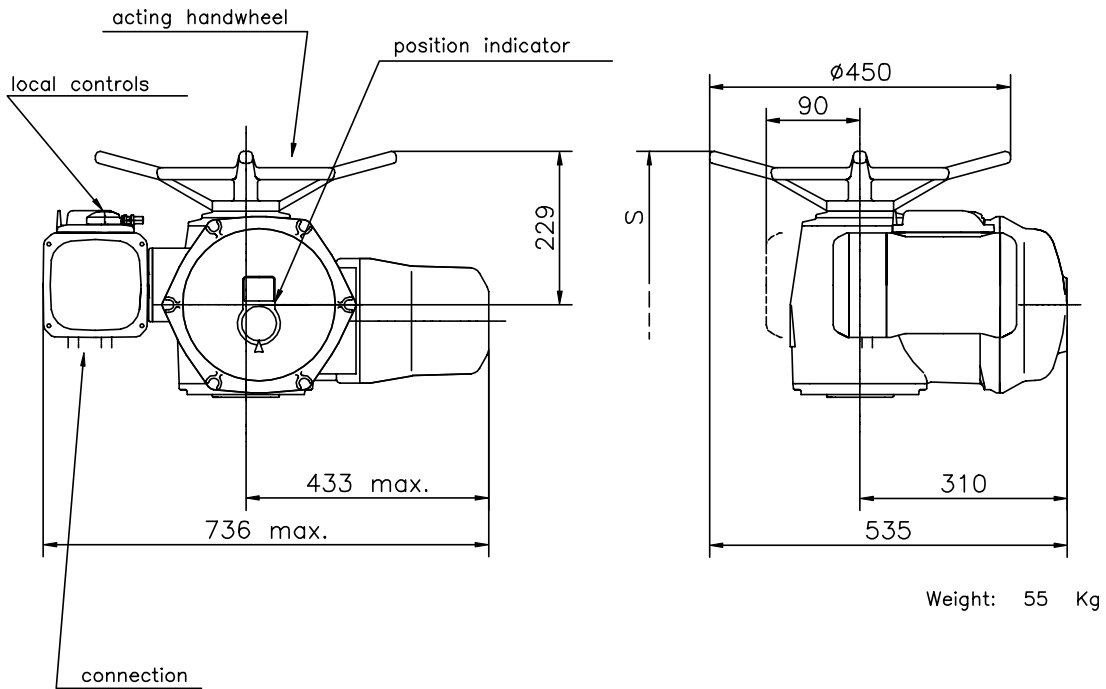


Standard ST30



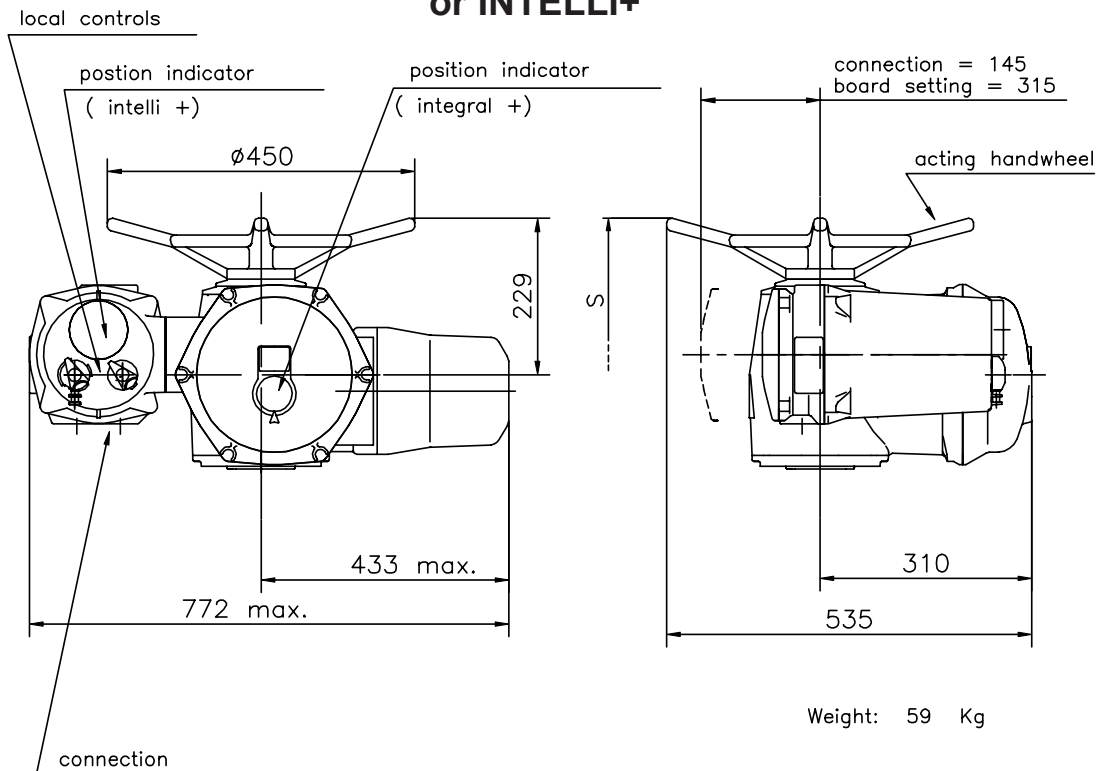
Weight: 49 Kg

ST30 with INTEGRAL+ or POSIGAM+ for waterproof applications

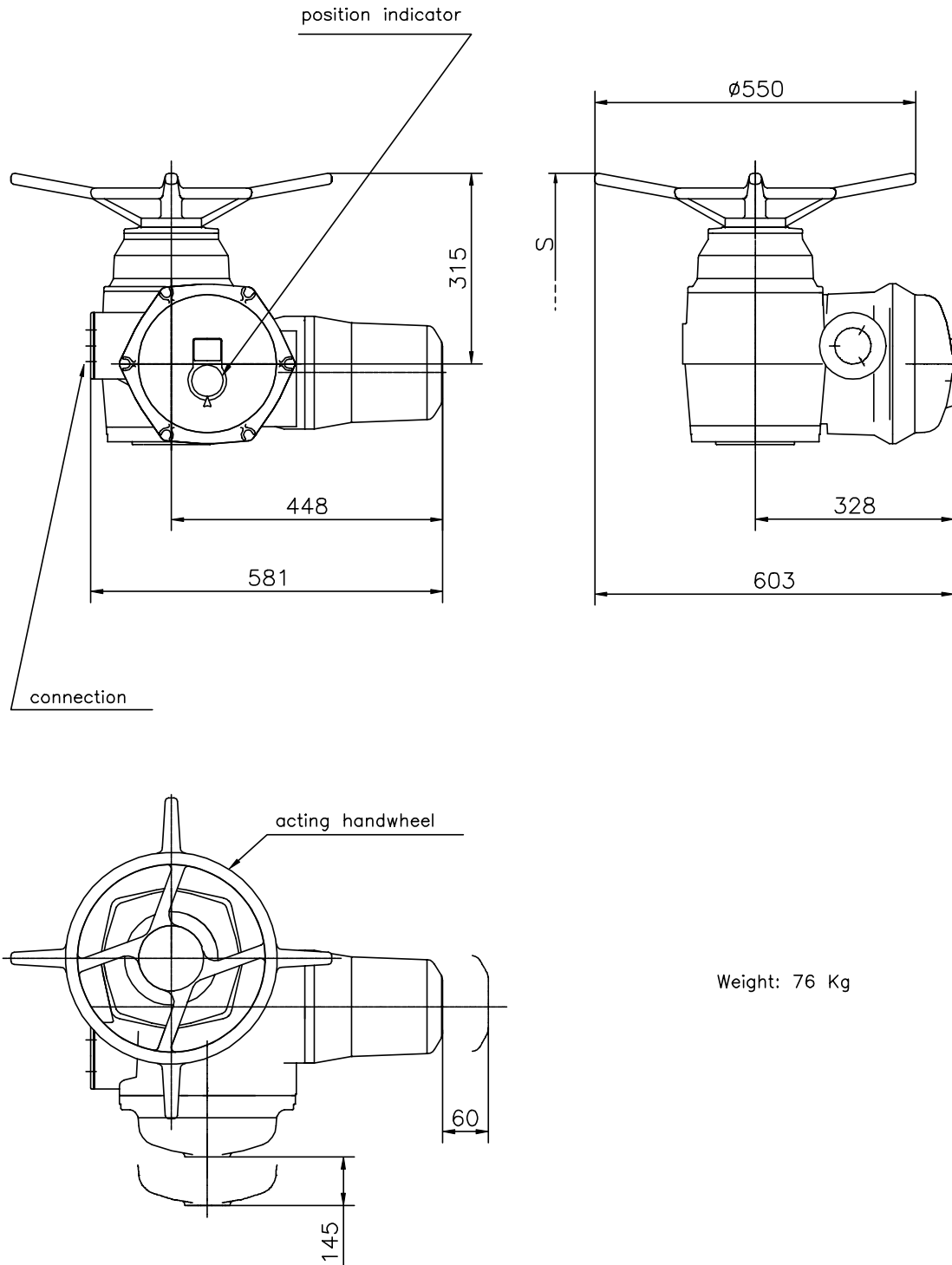


Dimensional drawings

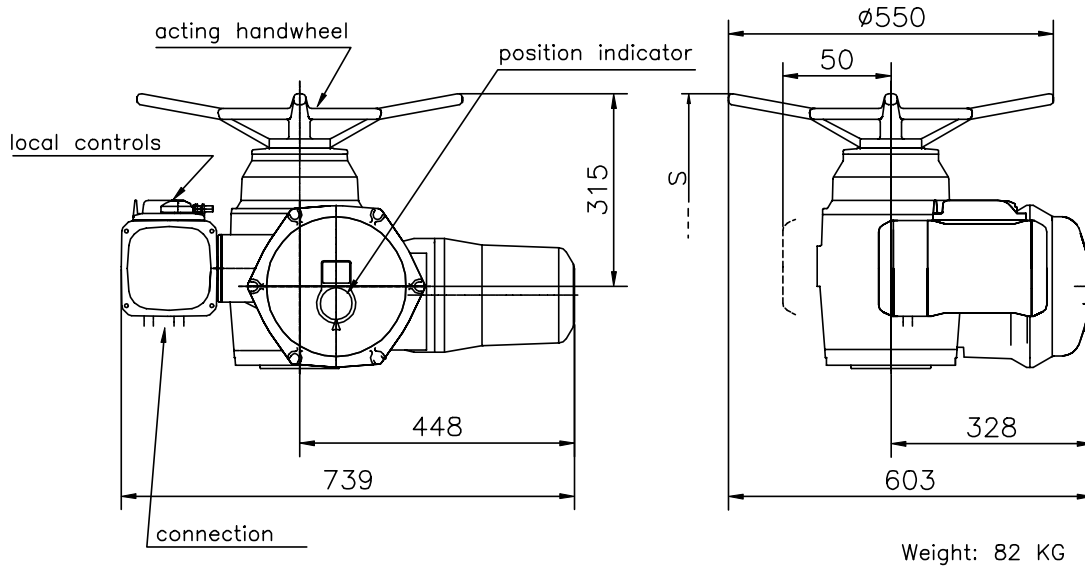
ST30 with INTEGRAL+, POSIGAM+ for explosionproof applications or INTELLI+



Standard ST70

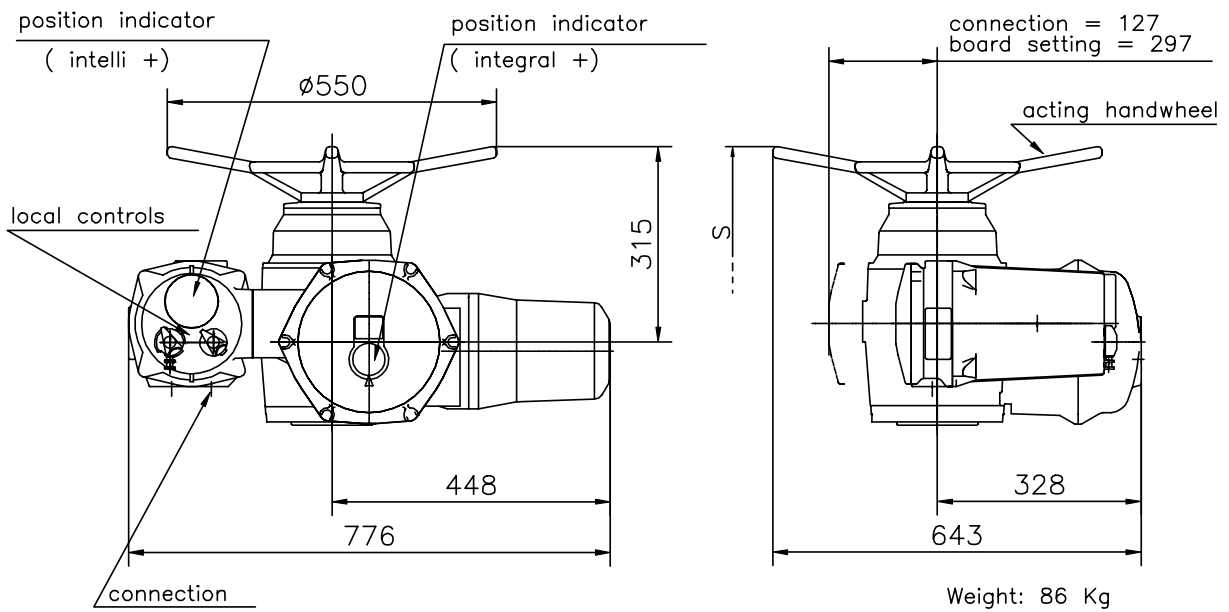


ST70 with INTEGRAL+ ou POSIGAM+ for waterproof applications

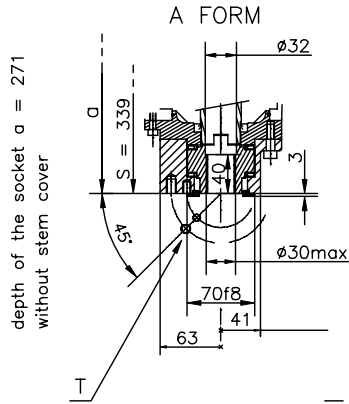


Dimensional drawings

ST70 with INTEGRAL+, POSIGAM+ for explosionproof applications or INTELLI+

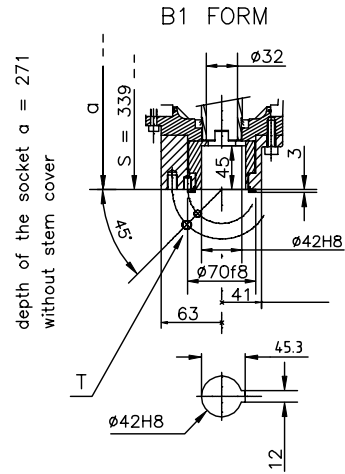


ST6

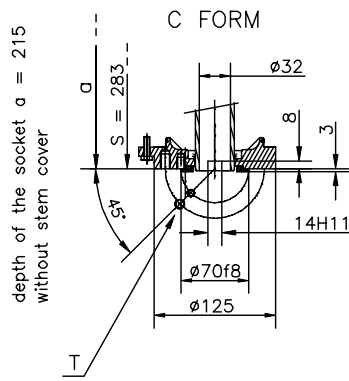


ST 6

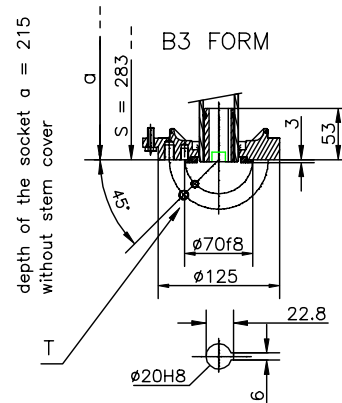
— ISO 5210 —



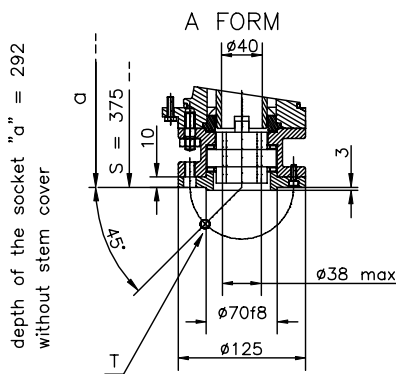
F10



T: 4xM10 depth:15
on 102 .p.c.d.(F10)
(F07 optional)

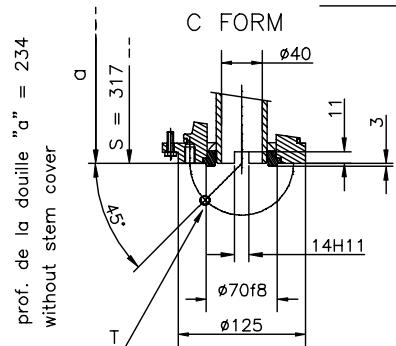
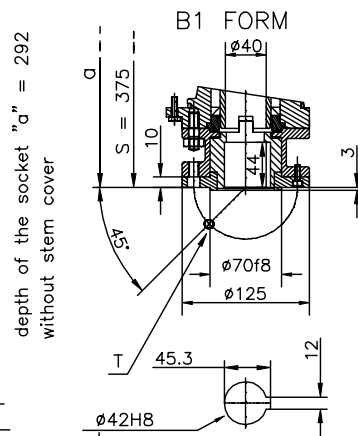


ST14



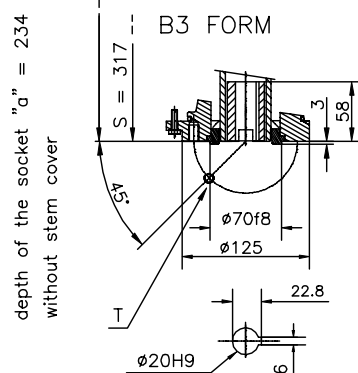
ST14

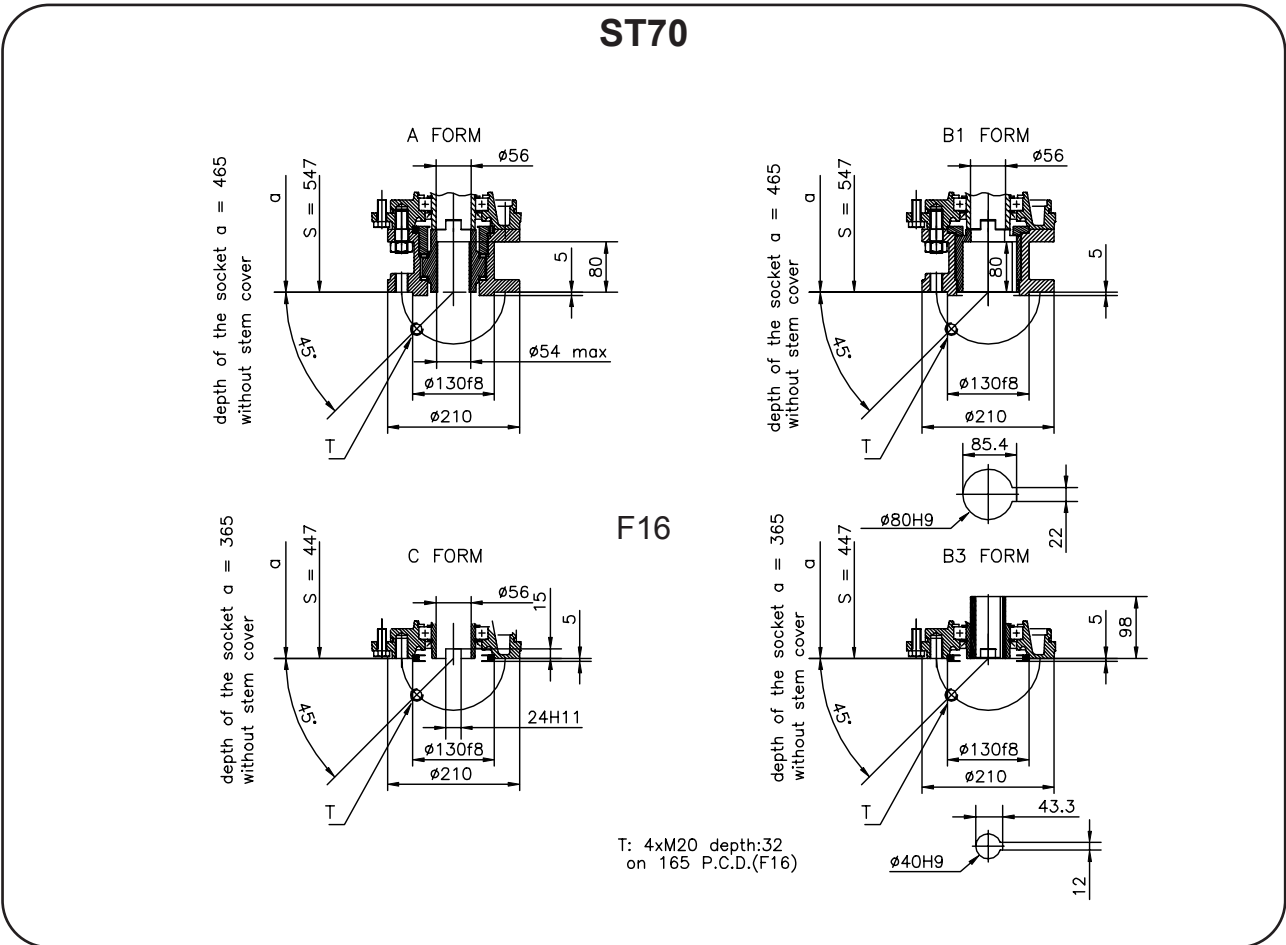
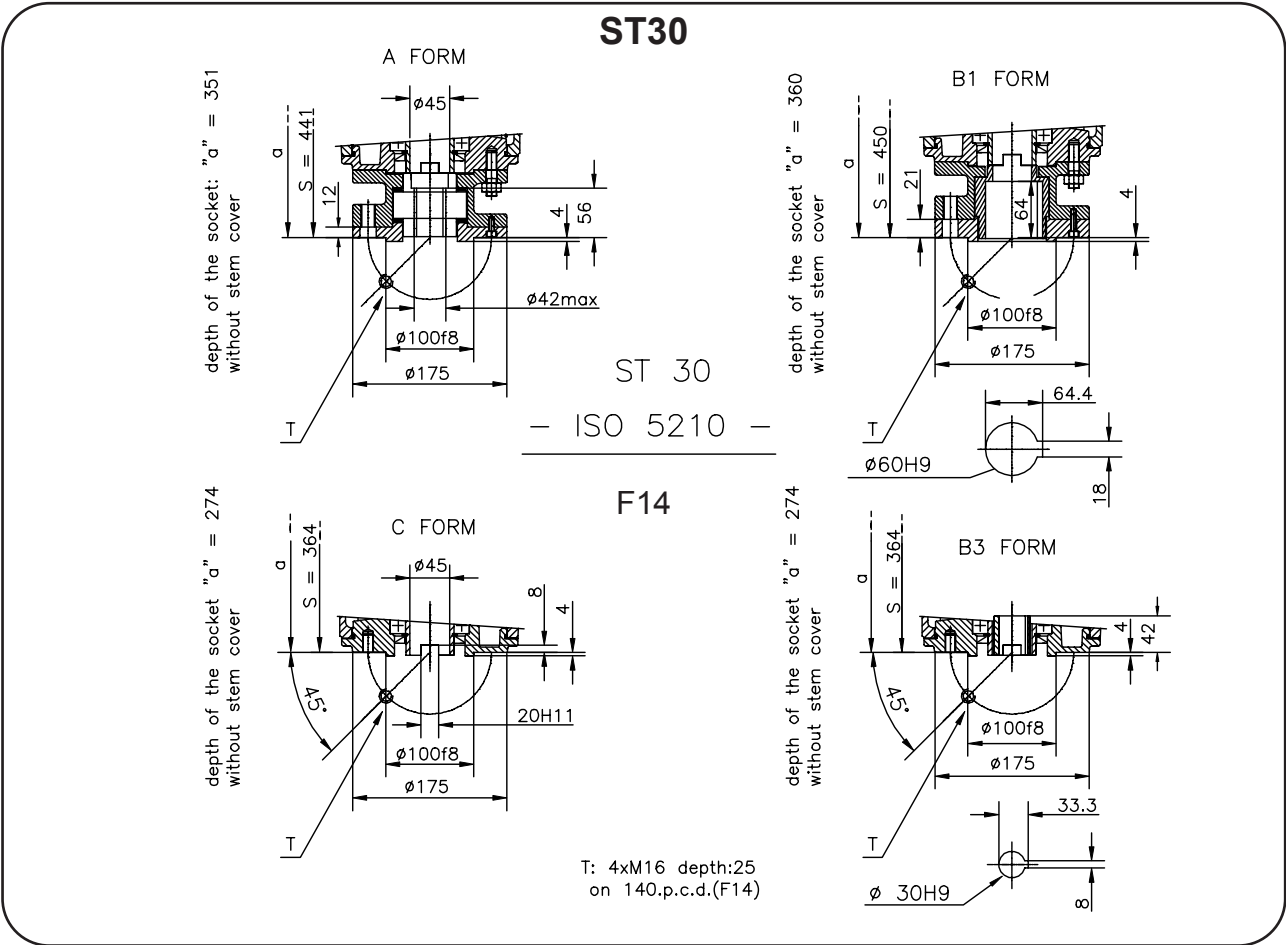
— ISO 5210 —



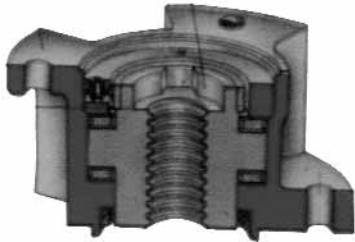
F10

T: 4xM10 depth:15
on 102 P.C.D.(F10)

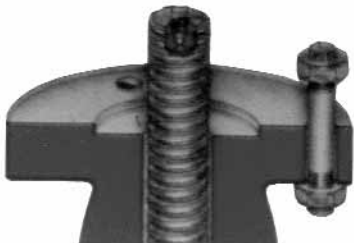




A Form INCORPORATED DRIVE BUSH

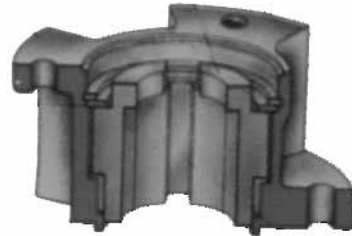


With thrust acceptance

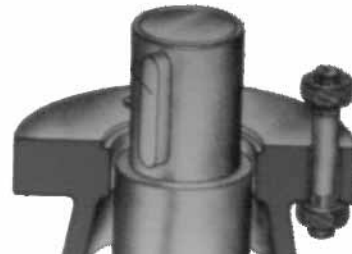


For valve with rising stem
and without drive bush

B1 Form ENLARGED LEEVE

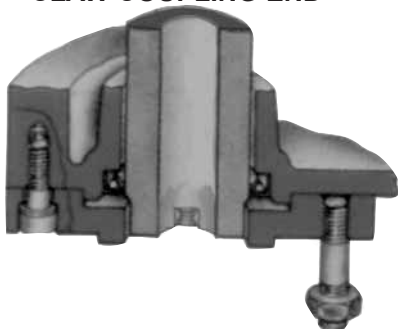


Without thrust acceptance



For valve with incorporated bush

C Form CLAW COUPLING END

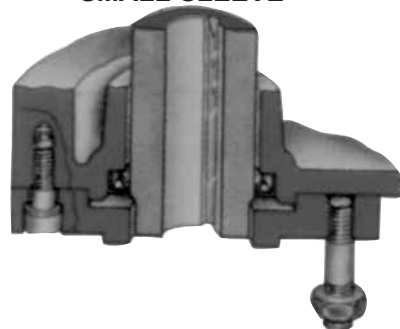


Without thrust acceptance

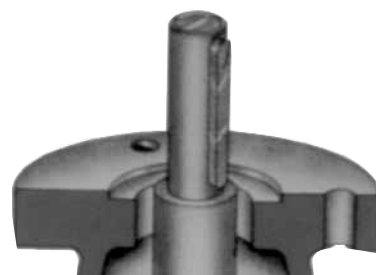


For valve with rising stem only

B3 Form SMALL SLEEVE



Without thrust acceptance



For valve with non-rising stem

AUSTRALIA <i>j.outram@peglerbeacon.com.au</i>	PEGLER BEACON AUSTRALIA Pty Ltd 25 South Street Rydalmere NSW 2116 AUSTRALIA Tel : + 61 2 98 41 23 45 Fax : + 61 2 96 84 64 39	MALAYSIA <i>tcmeng@pc.jaring.my</i>	ACTUATION & CONTROLS ENGINEER 7, Jalan Bayu 2/5 - Taman Perindustrian. Tampoi Jaya - 81200 JOHOR BAHRU Tel : +60 7 23 50 277 / 23 50 281 Fax : +60 7 23 50 280 / 23 50 285
AUSTRIA <i>hammermueller@IPU.co.at</i>	IPU ING PAUL UNGER Hardtmuthgasse 53 1100 WIEN Tel : +43 1 602 41 49 Fax : +43 1 603 29 43	MIDDLE-EAST <i>bernact@emirates.net.ae</i>	BERNARD MIDDLE-EAST Villa N°5-P.O. box 34079, 39b Street Al Jaffliya Compound, Al Jaffliya DUBAI - U.A.E. Tel : +971 4 39 80 726 Fax : +971 4 39 80 726
BELGIUM <i>christian.baert@bernard-benelux.com</i>	BERNARD BENELUX SA Rue Saint-Denis, 135 1190 BRUXELLES Tel : +32 2 34 34 122 Fax : +32 2 34 72 843	THE NETHERLANDS <i>bernard.benelux@12move.nl</i>	BERNARD BENELUX NV Sophialaan 5 3542 AR UTRECHT Tel : +31 30 24 14 700 Fax : +31 30 24 13 949
BRAZIL <i>jcn@jcn.com.br</i>	JCN Av. Mutinga, 3188 - Pirituba CEP 05110-000 Sao Paulo SP Tel : +55 11 39 02 26 00 Fax : +55 11 39 02 40 18	NORWAY <i>post@fagerberg.no</i> <i>www.fagerberg.no</i>	FAGERBERG NORGE a.s P.O box 522 - HØYDEN 1522 MOSS Tel : +47 69 26 48 60 Fax : +47 69 26 73 33
CHINA <i>office@tadella.com</i> <i>www.tadella.com</i>	TADELLA LIMITED B701, Hong-an mansion, 188 Chanoei Street, Dongcheng District, BEIJING - CHINE 100010 Tel : +86 10 6517 0601 / 0602 Fax : +86 10 6517 0603	POLAND <i>matzanke@pol.pl</i>	MARCO Ul. Ksiezycowa 1 01-934 WARSZAWA Tel : +48 22 864 55 43 Fax : +48 22 864 94 22
CZECH REPUBLIC <i>brno@fluidbohemia.cz</i>	FLUIDTECHNIK BOHEMIA s.r.o. Olomoucka 87 627 00 Brno Tel : +420 548 213 233-5 Fax : +420 548 213 238	PORTUGAL <i>import.export@pinhol.com.pt</i>	PINHOL, GOMES & GOMES LDA. Caminho dos Confeiteiros, 41 - 41 A Portela de Carnaxide 2790-051 Carnaxide Tél : +351 21 425 68 50 Fax : +351 21 425 68 59
DENMARK <i>jh@armatec.dk</i> <i>www.armatec.dk</i>	ARMATEC A/S Mjølnersvej 4-8 DK 2600 Glostrup Tel : +45 46 96 00 00 Fax : +45 46 96 00 01	SINGAPORE <i>acesin@singnet.com.sg</i>	ACTUATION & CONTROLS ENG. (ASIA) Block 2 Bukit Batok Street 24 N°07-19 Skytech SINGAPOUR 659480 Tel : +65 65 654 227 Fax : +65 65 650 224
FINLAND <i>info@soffco.fi</i> <i>www.soffco.fi</i>	OY SOFFCO AB Karapellontie 11 FIN-02610 ESPOO Tel : +358 9 54 04 620 Fax : +358 9 54 04 6250	SPAIN <i>bernardservo@wanadoo.es</i>	BERNARD SERVOMOTORES C/ Valentin Beato, 11 - 1°D 28037 MADRID Tel : +34 91 30 41 139 Fax : +34 91 32 73 442
GERMANY <i>bernard@deufra.de</i> <i>www.deufra.de</i>	DEUFRA GMBH Kasinostrasse 22 53840 TROISDORF Tel : +49 22 41 98 340 Fax : +49 22 41 98 34 44	SWEDEN <i>christer.noren@fagerberg.se</i> <i>www.fagerberg.se</i>	G. FAGERBERG AB Postbox 12105 40241 GOETEBORG Tel : +46 31 69 37 00 Fax : +46 31 69 38 00
GREECE <i>yanpap@accig.gr</i>	PI&MS 3 Pendelis Str. Pallini 153 51 Athènes - Hellas Tel : +30 2 10 66 69 129 Fax : +30 2 10 66 69 130	SWITZERLAND <i>info@matokem.com</i> <i>www.matokem.com</i>	MATOKEM AG Binnergstrasse 86 CH - 4123 ALLSCHWIL Tel : +41 61 483 15 40 Fax : +41 61 483 15 42
HUNGARY <i>apagyi@elender.hu</i>	APAGYI TRADEIMPEX KFT 1145 Budapest Stefania u. 63/c. Tel : +36 1 223 1958 Fax : +36 1 273 0680	THAILAND <i>pinvidic@ksc7.th.com</i>	BERNARD SOUTH-EAST ASIA Liaison office Thailand Bangkok 10110 Thailand Tel : +66 1 814 57 30 Fax : +66 2 255 26 38
INDIA <i>mail@ilpgt.com</i>	INSTRUMENTATION LTD Kanjikode West 678623 PALGHAT-KERALA Tel : +91 491 56 61 27 / 56 61 28 Fax : +91 491 56 61 35 / 56 62 40	TURKEY <i>cimtek@superonline.com</i>	CIMTEK A.S. Genclik Caddesi N°9 Isiklar Binasi TANDOGAN 06570 - ANKARA Tel : +90 312 232 67 00 Fax : +90 312 232 53 64
ITALY <i>derman_vanni@pechiney.com</i>	PECHINEY ITALIA S.P.A. Viale F. Restelli 5 20124 MILAN Tel : +39 02 66 89 31 Fax : +39 02 60 81 513	UNITED ARABS EMIRATES <i>emhold@emirates.net.ae</i>	EMIRATES HOLDINGS P.O. Box 984 ABU DHABI Tel : +97 12 644 73 73 Fax : +97 12 644 40 66
JAPAN <i>yoshiro.shimizu@pechiney.com</i>	PECHINEY JAPAN 29 Fl. Shinjuku Mitsui Bldg 2-1-1 Nishi Shinjuku, Shinjuku-ku, Tokyo 163-0429 JAPON Tel : +81 3 33 49 66 39 Fax : +81 3 33 49 67 50	UNITED-KINGDOM <i>enquiries@zoedale.co.uk</i> <i>www.zoedale.co.uk</i>	ZOEDALE Plc Stannard Way / Priory Business Park BEDFORD MK44 3WG Tel : +44 12 83 28 32 Fax : +44 12 83 28 00
KOREA (Rep of) <i>bernard@humanitc.com</i> <i>www.humanitc.com</i>	HUMAN INFRASTRUCTURE TECH. 3 Fl. SungWon Building 813-1 Bangbae-Dong, Seocho-Gu SEOUL 137-832 Tel : +82 2 532 2604 Fax : +82 2 3478 7089	USA <i>bernard.sales@bernardcontrols.com</i> <i>www.bernardcontrols.com</i>	BERNARD CONTROLS Inc 15740 Park Row, Suite 100 HOUSTON - TEXAS 77084 Tel : +1 281 578 66 66 Fax : +1 281 578 27 97

BERNARD

L. BERNARD

4 rue d'arsonval - BP 91 - 95505 GONESSE. France
Tel. +33.1.34.07.71.00 - Fax +33.1.34.07.71.01

E-mail : mail@bernard-actuators.com - Internet . <http://www.bernard-actuators.com>

