

4 METAL STAR FORGED STEEL BALL VALVES



PED 97/23 EC

CE 0038

Certificate N°: RPS 0160304/01

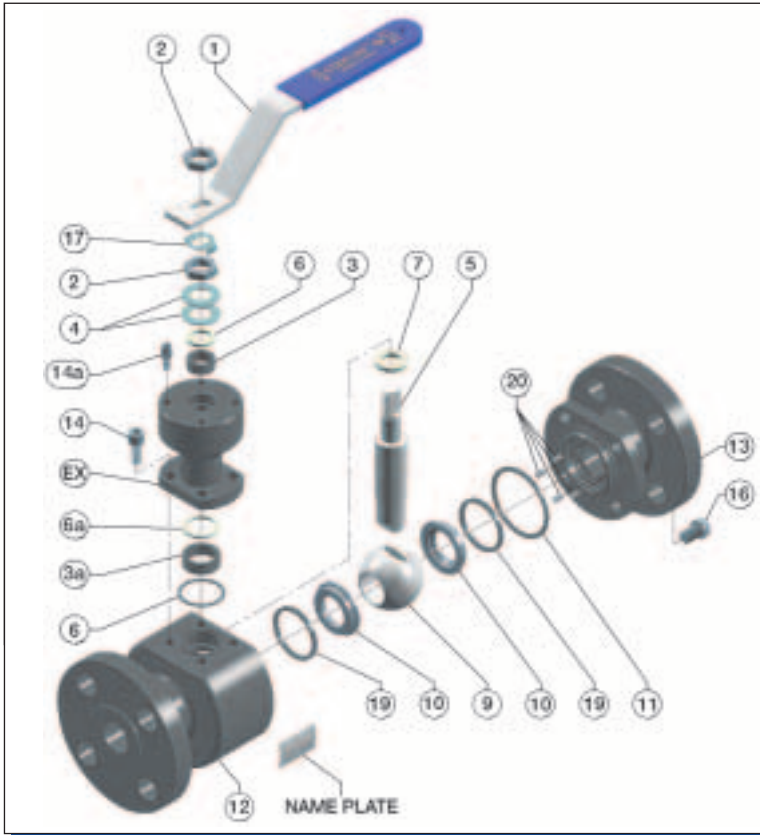
ATEX 94/9 CE



Tech. File N° ST01 ATEX



6D-0233

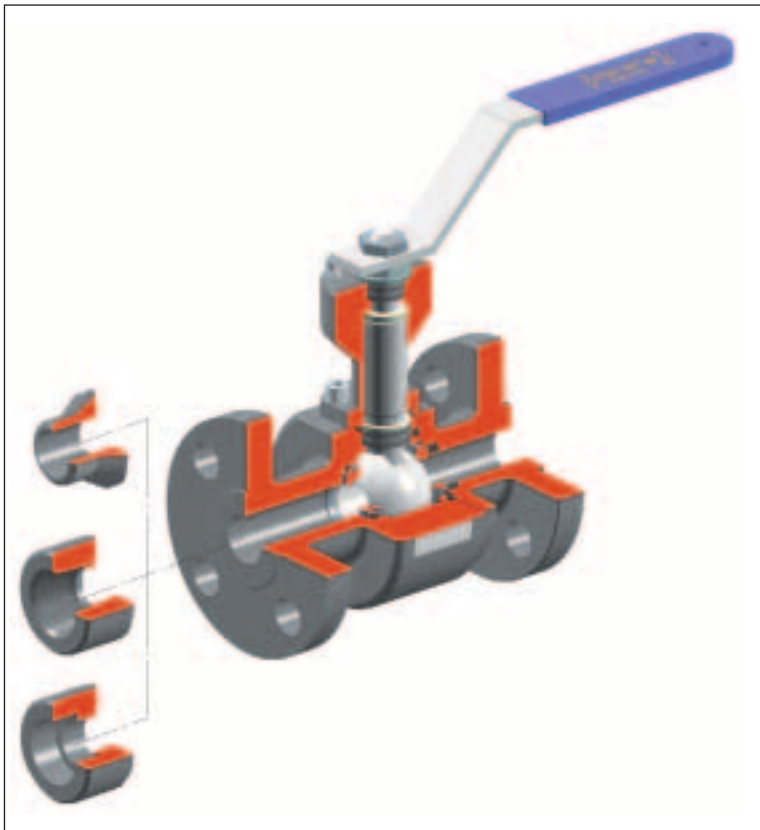


STARLINE Figure No.	Full Bore	143 MGG	145 MGG	146 MGG	
	Reduced Bore	243 MGG	245 MGG	246 MGG	
PART NO	UNIT Q.TY	PART NAME	MATERIALS		
			A105 / 316	LF2 / 316	316 / 316
NP	1	NAME PLATE	Stainless Steel	Stainless Steel	Stainless Steel
G	1	EXTENTION GASKET	Graphite	Graphite	Graphite
EX	1	EXTENTION	ASTM A105N	ASTM A350 LF2	ASTM A182 F316
1	1	HANDLE	Stainless Steel + Plastic	Stainless Steel + Plastic	Stainless Steel + Plastic
2	2	HANDLE NUT	C.S. Zinc Plated	Stainless Steel	Stainless Steel
3	3+3	PACKING RING	Graphite	Graphite	Graphite
4	2	SPRING WASHER	Special S.S. for Springs	Special S.S. for Springs	Special S.S. for Springs
5	1	STEM	UNS S31803	UNS S31803	UNS S31803
6	1+1	GLAND PACKING	Stainless Steel	Stainless Steel	Stainless Steel
7	1	THRUST WASHER	Stainless Steel	Stainless Steel	Stainless Steel
9	1	BALL	S.S. 316 Hardnet note 3	S.S. 316 Hardnet note 3	S.S. 316 Hardnet note 3
10	2	SEATS	S.S. 316 Hardnet note 3	S.S. 316 Hardnet note 3	S.S. 316 Hardnet note 3
11	2	BODY GASKET	Graphite	Graphite	Graphite
12	1	BODY	ASTM A105N	ASTM A305 LF2	ASTM A182 F316
13	1	END CONNECTION	ASTM A105N	ASTM A350 LF2	ASTM A182 F316
14	4	EXTENTION SCREW	Stainless Steel	Stainless Steel	Stainless Steel
14a	1	STOP PIN	Stainless Steel	Stainless Steel	Stainless Steel
16	nota 1	BOLTS	ASTM A193 B8	ASTM A193 B8	ASTM A193 B8
17	1	STOP WASHER	Stainless Steel	Stainless Steel	Stainless Steel
19	2	SEAT SEALS	Graphite	Graphite	Graphite
20	nota 2	SEAT SPRINGS	Inconell X-750	Inconell X-750	Inconell X-750

NOTE:

- 1) For size 1/4" to 1.1/2" n° 4 bolts - For size 2" n° 6 bolts
- 2) For size 1/4" to 1.1/2" n° 4 springs - For size 2" n° 6 springs.
- 3) Surface are coated with tungsten carbide, chrome carbide, stellite 6 and other coated on request

- Suggested materials after 2 years service
- Suggested materials after 5 years service



DESCRIPTION

CONSTRUCTION: TWO PIECES BOLTED CONSTRUCTION - ANTI BLOW OUT PROOF STEM DESIGN - SOLID BALL AND METAL SEATS SURFACES ARE COATED WITH TUNGSTEN CARBIDE, CHROME CARBIDE AND STELLITE 6 - ANTISTATIC DEVICE - FIRE SAFE DESIGN - ISO 5211 ON THE TOP FOR EASY AUTOMATION.

SIZE: DN 8 ÷ 50 FULL BORE -- DN 20 ÷ 80 REDUCED BORE
1/4" ÷ 2" FULL BORE -- 3/4" ÷ 3" REDUCED BORE

CLASS: PN16 ÷ 100 or ASME 150 ÷ 600 LBS

TEMPERATURE: -200° C UP TO +700° C

MATERIAL: ASTM A105 - LF2 - 316 - 316L - F22 - INCONEL AND SPECIAL MATERIALS

DESIGN: ASME B16.34 - ASME B31.1 - BS5351 - API 6D - P.E.D. 97/23/EC ATEX 94/9 CE

MARKING: MSS SP25

CE 0038: ACCORDING TO DIRECTIVE 97/23/CE - MODULE H CATEGORY III NOTIFIED BODY LLOYD'S REGISTERED

Ex IM2/II 2GD: CERTIFICATE NR. RPS 01060304/01 ACCORDING TO ATEX 94/9 CE - TECHNICAL FILE NR. ST01 ATEX

TEST CERTIFICATE: UNI EN 10204 TYPE 3.1B UNLESS OTHERWISE REQUIRED

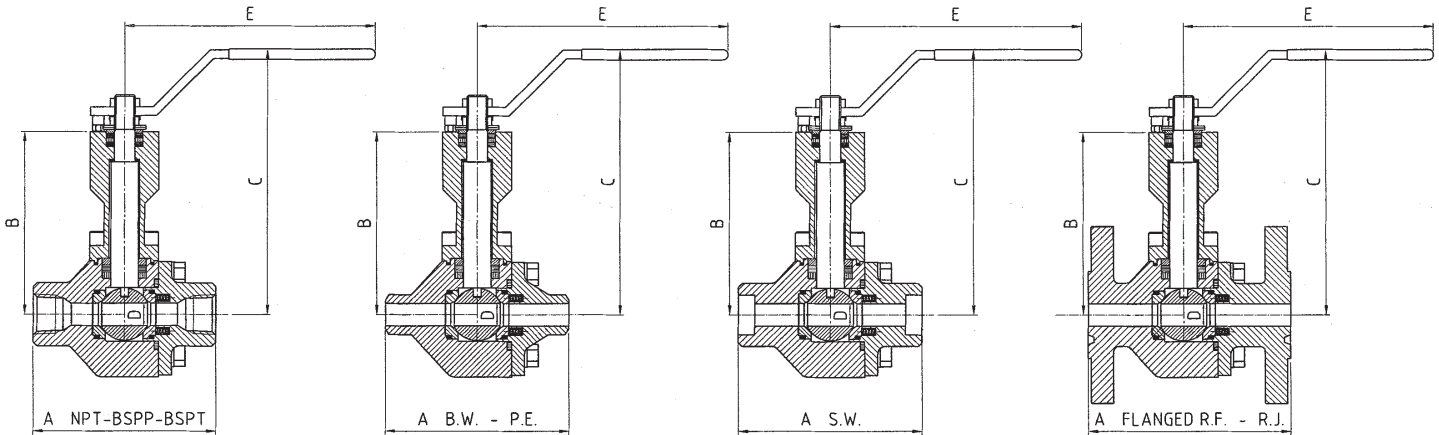
SERVICES: FOR EXTREME TEMPERATURE, ABRASIVE AND CORROSIVE SERVICE

BSP Parallel: BS21Rp - ISO 228/1 - ISO 7/1Rp
 BSP Taper: BS21Rc - ISO 7/1Rc - DIN 2999/1
 NPT: ANSI B1 20.1

B.W. - P.E.: ANSI B16.25 Sch. 40 - XS - 80 - 160
 Note: other overall lengths are available on request.

S.W.: ANSI B16.11

FLANGES in according to ASME / ANSI B 16.5
 FACE TO FACE in according to ASME / ANSI B16.10
 Note: when flanges are RF type of finish must be stated on the order



FULL BORE																				
VALVE SIZE		A							B	C	D	E	ISO 5211	WEIGHT KG./LBS						
		NPT BSP BW SW	FLANGED											150 RF	300 RF - JR	600 RF - RJ	PN 16-40	PN 63	PN 100	
			150 RF	300 RF	300 RJ	600 RF	600 RJ	PN 10/100												
DN	8	106	-	-	-	-	-	-	106	160	13	193	F04	3.5	-	-	-	-	-	
Inch	1/4"	4.3/16"	-	-	-	-	-	-	4.17"	6.30"	51"	7.60"	F04	7.7	-	-	-	-	-	
DN	10	106	-	-	-	-	-	130	106	160	13	193	F04	3.5	-	-	5	6	6	
Inch	3/8"	4.3/16"	-	-	-	-	-	5.1/8"	4.17"	6.30"	51"	7.60"	F04	7.7	-	-	11	13.2	13.2	
DN	15	106	140	140	151	165	163.5	130	106	160	13	193	F04	3.2	4.5	5	7	5	6	6
Inch	1/2"	4.3/16"	5.1/2"	5.1/2"	5.15/16"	6.1/2"	6.7/16"	5.1/8"	4.17"	6.30"	51"	7.60"	F04	7	9.9	11	15.4	11	13.2	13.2
DN	20	110	152	152	165	191	191	150	110	165	19	193	F04	4.5	5.5	6.5	10.5	6.5	8.5	8.5
Inch	3/4"	4.5/16"	6"	6"	6.1/2"	7.1/2"	7.1/2"	5.7/8"	4.33"	6.50"	75"	7.60"	F04	10	12.1	14.3	23.1	14.3	18.7	18.7
DN	25	127	165	165	178	216	216	160	117	183	25	222	F05	7	7.5	9	13.5	9	11	11
Inch	1"	5"	6.1/2"	6.1/2"	7"	8.1/2"	8.1/2"	6.5/16"	4.60"	7.20"	1"	8.75"	F05	15.5	16.5	19.8	29.8	19.8	24.2	24.2
DN	32	180	178	178	191	229	229	180	152	235	38	365	F07	11	13	15	25.5	15	23.5	23.5
Inch	1.1/4"	7.1/8"	7"	7"	7.1/2"	9"	9"	7.1/8"	6"	9.25"	1.5"	14.4"	F07	24	28.6	33	56	33	52	52
DN	40	180	191	191	203	241	241	200	152	235	38	365	F07	11	14	17	28	17.5	25.5	25.5
Inch	1.1/2"	7.1/8"	7.1/2"	7.1/2"	8"	9.1/2"	9.1/2"	8.1/4"	6"	9.25"	1.5"	14.4"	F07	24	30.8	37.5	62	38.6	56.2	56.2
DN	50	216	216	216	232	292	295	230	167	-	50	-	F07	16	20	24	34	25	30	30
Inch	2"	8.1/2"	8.1/2"	8.1/2"	9.1/8"	11.1/2"	11.5/8"	9.1/16"	6.57"	-	1.97"	-	F07	35	44	53	75	55	66	66

NOTE:

For size DN 40 or 1.1/2" gear operated for class 300 to 600 or PN 40 to 100
 For size DN 50 or 2" gear operated for all pressure ratings

REDUCED BORE																				
VALVE SIZE		A							B	C	D	E	ISO 5211	WEIGHT KG./LBS						
		NPT BSP BW SW	FLANGED											150 RF	300 RF - JR	600 RF - RJ	PN 16-40	PN 63	PN 100	
			150 RF	300 RF	300 RJ	600 RF	600 RJ	PN 10/100												
DN	20	106	152	152	165	191	191	150	106	160	13	193	F04	3.2	5	6	8	6	7	7
Inch	3/4"	4.3/16"	6"	6"	6.1/2"	7.1/2"	7.1/2"	5.7/8"	4.17"	6.30"	51"	7.60"	F04	7	11	13.2	17.6	13.2	15.4	15.4
DN	25	110	165	165	178	216	216	160	110	165	19	193	F04	4.5	6	7.5	12.5	7.5	9.5	9.5
Inch	1"	4.5/16"	6.1/2"	6.1/2"	7"	8.1/2"	8.1/2"	6.5/16"	4.33"	6.50"	75"	7.60"	F04	10	13.2	16.5	27.5	16.5	21	21
DN	32	127	178	178	191	229	229	180	117	183	25	222	F05	7	8.5	11	15	11	13	13
Inch	1.1/4"	5"	7"	7"	7.1/2"	9"	9"	7.1/8"	4.60"	7.20"	1"	8.75"	F05	15.5	18.7	24.2	33	24.2	28.6	28.6
DN	40	180	191	191	203	241	241	200	152	235	38	365	F07	11	14	17	28	17.5	25	25
Inch	1.1/2"	7.1/8"	7.1/2"	7.1/2"	8"	9.1/2"	9.1/2"	8.1/4"	6"	9.25"	1.5"	14.4"	F07	24	30.8	37.5	62	38.6	55	55
DN	50	180	216	216	232	292	295	230	152	235	38	365	F07	11	17	21	36	22	28	28
Inch	2"	7.1/8"	8.1/2"	8.1/2"	9.1/8"	11.1/2"	11.5/8"	9.1/16"	6"	9.25"	1.5"	14.4"	F07	24	37.5	46.3	79.4	48.5	62	62
DN	80	216	283	283	298	356	359	310	152	-	38	-	F07	16	28	32	44	34	36	36
Inch	3"	8.1/2"	11.1/8"	11.1/8"	11.3/4"	14"	14.1/8"	12.3/16"	6"	-	1.5"	-	F07	35	62	71	97	75	80	80

NOTE:

For size DN 50 or 2" gear operated for class 300 to 600 or PN 40 to 100
 For size DN 80 or 3" gear operated for all pressure ratings

SALES ORGANIZATION



MAIN DISTRIBUTORS

**Norway, Sweden, Denmark, Netherlands,
Belgium, Switzerland, Austria, Greece,
Brasil, Usa, Canada, Australia, New Zeland, South Africa,
UAE, Czech Republic, Slovakia, Poland
Singapore, Romania, Oman, Saudi Arabia, Kuwait**

STARLINE S.p.A.

Via F. Baracca, 30 - 24060 S. PAOLO D'ARGON (Bergamo) ITALY
Phone: 0039 035/958041/958102 - Fax: 0039 035/958413
<http://www.starline.it> - e-mail: starline@starline.it

STARLINE BALL VALVES LTD
Telford Way Stephenson Ind. Est.
Coalville Leicestershire LE 67 3HE
Great Britain
Phone: 0044 (0)1530815818
Fax: 0044 (0)1530815819
<http://www.acvalvealliance.com>
e-mail: Starline@acvalvealliance.com

STARLINE FRANCE
7, Parc d'Activités
de la Verdrière 1
13880 VELAUX - France
Phone: 0033 (0)442878400
Fax: 0033 (0)442878404
<http://www.star-line.fr>
e-mail: infos@star-line.fr

STARLINE IBERICA S.A.
Poligono Industrial El Circuit
C/Rec Del Molinar F-3
08160 Montmelò Barcelona - Spain
Phone: 0034 (0)935799370
Fax: 0034 (0)935799244
<http://www.starline.es>
e-mail: starline@starline.es

STARLINE VALVES OY
Martinkyläntie, 39
01720 Vantaa - Finland
Phone: 0035 (0)898787711
Fax: 0035 (0)898787221
<http://www.starline.fi>
e-mail: starline@starline.fi

STARLINE Armaturen GmbH
Industriestrasse, 25
64569 Nauheim - Germany
Phone: 0049 (0)6152987655
Fax: 0049 (0)6152987656
e-mail: starline.gmbh@t-online.de

Your Representative:

FLUIDTECHNIK®
bohemia

FLUIDTECHNIK BOHEMIA, s.r.o.

Olomoucká 87, CZ-627 00 Brno
• tel.: +420 548 426 811
• e-mail: brno@fluidtechnik.eu
• www.fluidtechnik.eu