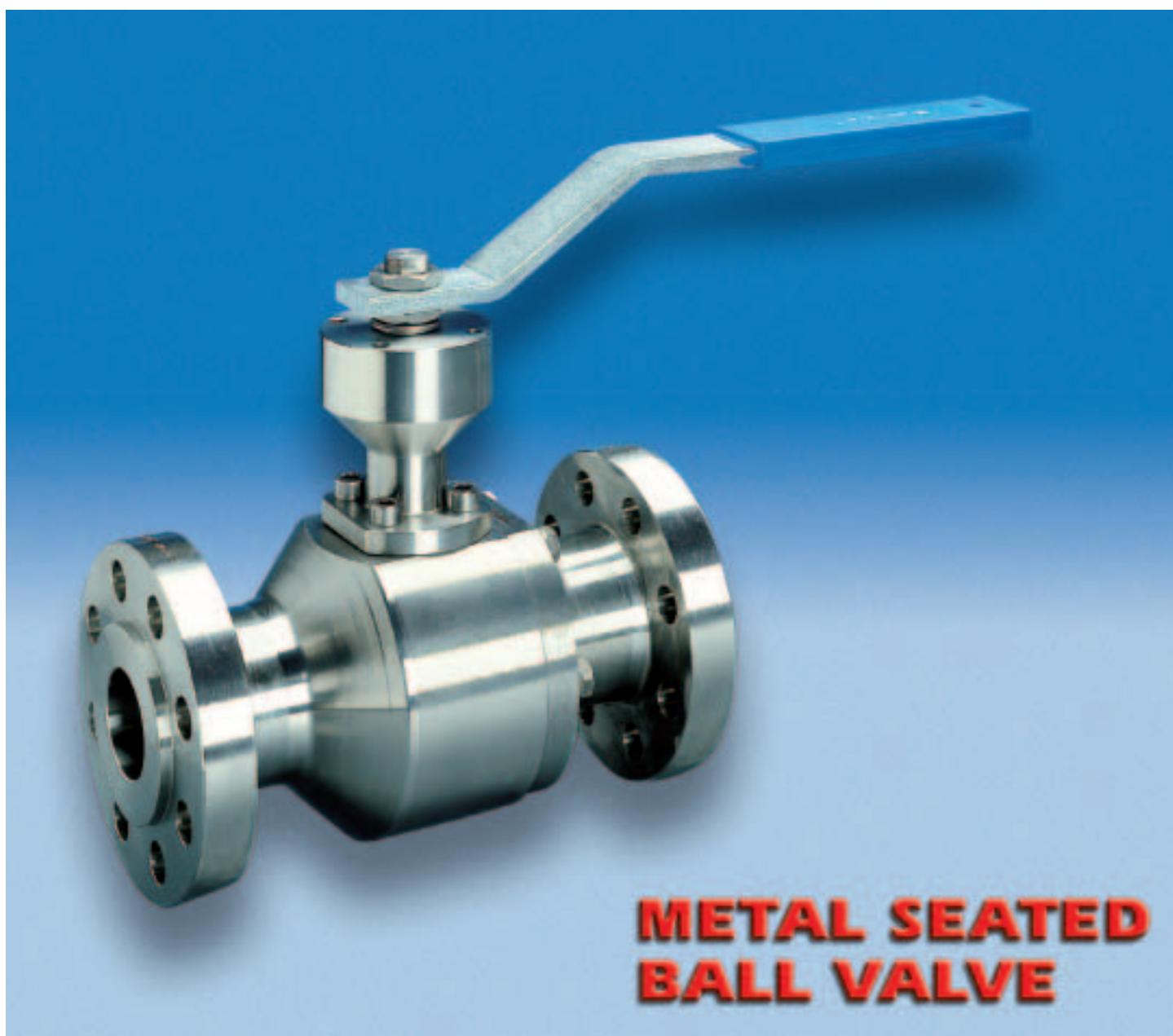


4 METAL STAR

KULOVÉ KOHOUTY Z KOVANE OCELI



**METAL SEATED
BALL VALVE**

PED 97/23 EC

CE 0038

Certificate N°: RPS 0160304/01

ATEX 94/9 CE

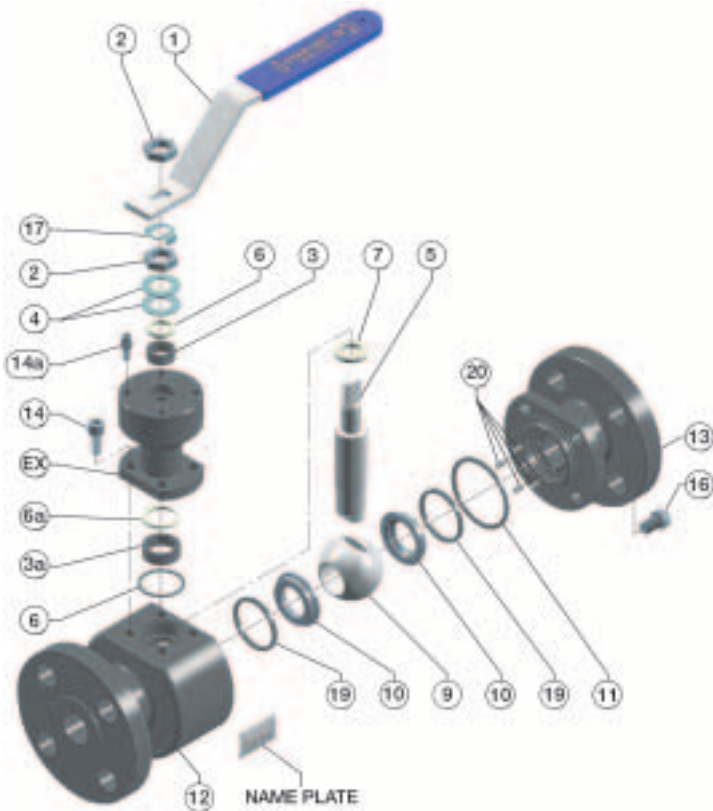


Tech. File N° ST01 ATEX



6D-0233

KONSTRUKCE - MATERIÁL

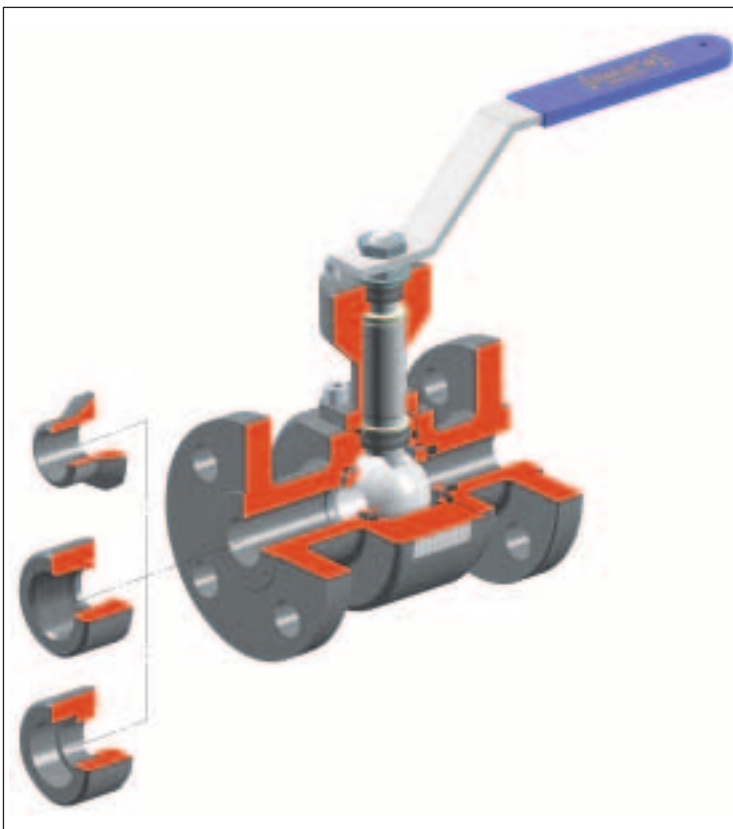


STARLINE Figure No.	Full Bore	143 MGG	145 MGG	146 MGG
	Reduced Bore	243 MGG	245 MGG	246 MGG
PART NO	UNIT Q.TY	PART NAME		
		MATERIALS A105 / 316	MATERIALS LF2 / 316	MATERIALS 316 / 316
NP	1	NAME PLATE	Stainless Steel	Stainless Steel
G	1	EXTENTION GASKET	Graphite	Graphite
EX	1	EXTENTION	ASTM A105N	ASTM A350 LF2
	1	HANDLE	Stainless Steel + Plastic	Stainless Steel + Plastic
	2	HANDLE NUT	C.S. Zinc Plated	Stainless Steel
	3+3	PACKING RING	Graphite	Graphite
	2	SPRING WASHER	Special S.S. for Springs	Special S.S. for Springs
	1	STEM	UNS S31803	UNS S31803
	1+1	GLAND PACKING	Stainless Steel	Stainless Steel
	1	THRUST WASHER	Stainless Steel	Stainless Steel
	1	BALL	S.S. 316 Hardnet note 3	S.S 316 Hardnet note 3
	2	SEATS	S.S. 316 Hardnet note 3	S.S 316 Hardnet note 3
	2	BODY GASKET	Graphite	Graphite
	1	BODY	ASTM A105N	ASTM A305 LF2
	1	END CONNECTION	ASTM A105N	ASTM A350 LF2
	4	EXTENTION SCREW	Stainless Steel	Stainless Steel
	1	STOP PIN	Stainless Steel	Stainless Steel
	nota 1	BOLTS	ASTM A193 B8	ASTM A193 B8
	1	STOP WASHER	Stainless Steel	Stainless Steel
	2	SEAT SEALS	Graphite	Graphite
	nota 2	SEAT SPRINGS	Inconell X-750	Inconell X-750

NOTE:

- 1) For size 1/4" to 1.1/2" n° 4 bolts - For size 2" n° 6 bolts
- 2) For size 1/4" to 1.1/2" n° 4 springs - For size 2" n° 6 springs.
- 3) Surface are coated with tungsten carbide, chrome carbide, stellite 6 and other coated on request

- Suggested materials after 2 years service
- Suggested materials after 5 years service



DESCRIPTION

CONSTRUCTION: TWO PIECES BOLTED CONSTRUCTION - ANTI BLOW OUT PROOF STEM DESIGN - SOLID BALL AND METAL SEATS SURFACES ARE COATED WITH TUNGSTEN CARBIDE, CHROME CARBIDE AND STELLITE 6 - ANTISTATIC DEVICE - FIRE SAFE DESIGN - ISO 5211 ON THE TOP FOR EASY AUTOMATION.

SIZE: DN 8 ÷ 50 FULL BORE -- DN 20 ÷ 80 REDUCED BORE
1/4" ÷ 2" FULL BORE -- 3/4" ÷ 3" REDUCED BORE

CLASS: PN16 ÷ 100 or ASME 150 ÷ 600 LBS

TEMPERATURE: -200° C UP TO +700° C

MATERIAL: ASTM A105 - LF2 - 316 - 316L - F22 - INCONEL AND SPECIAL MATERIALS

DESIGN: ASME B16.34 - ASME B31.1 - BS5351 - API 6D - P.E.D. 97/23/EC
ATEX 94/9 CE

MARKING: MSS SP25

CE 0038: ACCORDING TO DIRECTIVE 97/23/CE - MODULE H CATEGORY III
NOTIFIED BODY LLOYD'S REGISTERED
CERTIFICATE NR. RPS 01060304/01

Ex IM2/II 2GD: ACCORDING TO ATEX 94/9 CE - TECHNICAL FILE NR. ST01 ATEX

TEST CERTIFICATE: UNI EN 10204 TYPE 3.1B UNLESS OTHERWISE REQUIRED

SERVICES: FOR EXTREME TEMPERATURE, ABRASIVE AND CORROSIVE SERVICE

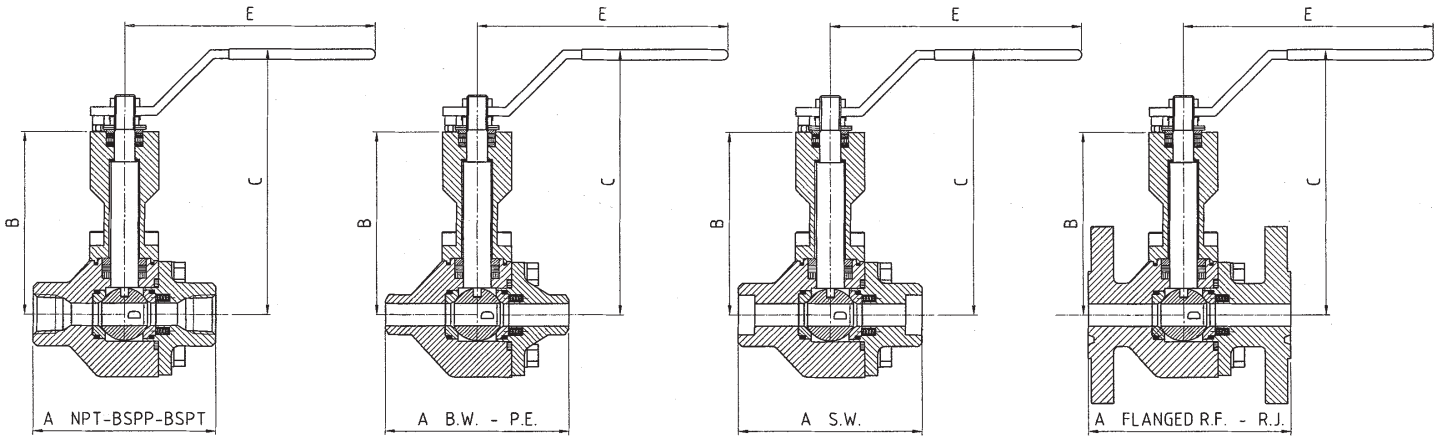
ROZMĚRY

BSP Parallel: BS21Rp - ISO 228/1 - ISO 7/1Rp
 BSP Taper: BS21Rc - ISO 7/1Rc - DIN 2999/1
 NPT: ANSI B1 20.1

B.W. - P.E.: ANSI B16.25 Sch. 40 - XS - 80 - 160
 Note: other overall lengths are available on request.

S.W.: ANSI B16.11

FLANGES in according to ASME / ANSI B 16.5
 FACE TO FACE in according to ASME / ANSI B16.10
 Note: when flanges are RF type of finish must be stated on the order



FULL BORE																			
VALVE SIZE		A							B	C	D	E	ISO 5211	WEIGHT KG./LBS					
		NPT BSPP BSPT BW SW	FLANGED											FLANGED					
		150 RF	300 RF	300 RJ	600 RF	600 RJ	PN 10/100							150 RF	300 RF - JR	600 RF - RJ	PN 16-40	PN 63	PN 100
mm	DN8	106	-	-	-	-	-	106	160	13	193	F04	3.5	-	-	-	-	-	
Inch	1/4"	4.3/16"	-	-	-	-	-	4.17"	6.30"	51"	7.60"	F04	7.7"	-	-	-	-	-	
mm	DN10	106	-	-	-	-	130	106	160	13	193	F04	3.5	-	-	5	6	6	
Inch	3/8"	4.3/16"	-	-	-	-	5.1/8"	4.17"	6.30"	51"	7.60"	F04	7.7"	-	-	11	13.2	13.2	
mm	DN15	106	140	140	151	165	163.5	106	160	13	193	F04	3.2	4.5	5	7	5	6	
Inch	1/2"	4.3/16"	5.1/2"	5.1/2"	5.15/16"	6.1/2"	6.7/16"	4.17"	6.30"	51"	7.60"	F04	7"	9.9"	11"	15.4"	11"	13.2"	
mm	DN20	110	152	152	165	191	191	110	165	19	193	F04	4.5	5.5	6.5	10.5	6.5	8.5	
Inch	3/4"	4.5/16"	6"	6"	6.1/2"	7.1/2"	7.1/2"	5.7/8"	4.33"	6.50"	7.5"	7.60"	F04	10"	12.1"	14.3"	23.1"	14.3"	18.7"
mm	DN25	127	165	165	178	216	216	117	183	25	222	F05	7	7.5	9	13.5	9	11	
Inch	1"	5"	6.1/2"	6.1/2"	7"	8.1/2"	8.1/2"	6.5/16"	4.60"	7.20"	1"	8.75"	F05	15.5"	16.5"	19.8"	29.8"	19.8"	24.2"
mm	DN32	180	178	178	191	229	229	180	152	235	38	365	F07	11	13	15	25.5	15	23.5
Inch	1.1/4"	7.1/8"	7"	7"	7.1/2"	9"	9"	7.1/8"	6"	9.25"	1.5"	14.4"	F07	24"	28.6"	33"	56"	33"	52"
mm	DN40	180	191	191	203	241	241	200	152	235	38	365	F07	11	14	17	28	17.5	25.5
Inch	1.1/2"	7.1/8"	7.1/2"	7.1/2"	8"	9.1/2"	9.1/2"	8.1/4"	6"	9.25"	1.5"	14.4"	F07	24"	30.8"	37.5"	62"	38.6"	56.2"
mm	DN50	216	216	216	232	292	295	230	167	-	50	-	F07	16	20	24	34	25	30
Inch	2"	8.1/2"	8.1/2"	8.1/2"	9.1/8"	11.1/2"	11.5/8"	9.1/16"	6.57"	-	1.97"	-	F07	35"	44"	53"	75"	55"	66"

NOTE:
 For size DN 40 or 1.1/2" gear operated for class 300 to 600 or PN 40 to 100
 For size DN 50 or 2" gear operated for all pressure ratings

REDUCED BORE																			
VALVE SIZE		A							B	C	D	E	ISO 5211	WEIGHT KG./LBS					
		NPT BSPP BSPT BW SW	FLANGED											FLANGED					
		150 RF	300 RF	300 RJ	600 RF	600 RJ	PN 10/100							150 RF	300 RF - JR	600 RF - RJ	PN 16-40	PN 63	PN 100
mm	DN20	106	152	152	165	191	191	150	106	160	13	193	F04	3.2	5	6	8	6	7
Inch	3/4"	4.3/16"	6"	6"	6.1/2"	7.1/2"	7.1/2"	5.7/8"	4.17"	6.30"	51"	7.60"	F04	7"	11"	13.2"	17.6"	13.2"	15.4"
mm	DN25	110	165	165	178	216	216	160	110	165	19	193	F04	4.5	6	7.5	12.5	7.5	9.5
Inch	1"	4.5/16"	6.1/2"	6.1/2"	7"	8.1/2"	8.1/2"	6.5/16"	4.33"	6.50"	7.5"	7.60"	F04	10"	13.2"	16.5"	27.5"	16.5"	21"
mm	DN32	127	178	178	191	229	229	180	117	183	25	222	F05	7	8.5	11	15	11	13
Inch	1.1/4"	5"	7"	7"	7.1/2"	9"	9"	7.1/8"	4.60"	7.20"	1"	8.75"	F05	15.5"	18.7"	24.2"	33"	24.2"	28.6"
mm	DN40	180	191	191	203	241	241	200	152	235	38	365	F07	11	14	17	28	17.5	25
Inch	1.1/2"	7.1/8"	7.1/2"	7.1/2"	8"	9.1/2"	9.1/2"	8.1/4"	6"	9.25"	1.5"	14.4"	F07	24"	30.8"	37.5"	62"	38.6"	55"
mm	DN50	180	216	216	232	292	295	230	152	235	38	365	F07	11	17	21	36	22	28
Inch	2"	7.1/8"	8.1/2"	8.1/2"	9.1/8"	11.1/2"	11.5/8"	9.1/16"	6"	9.25"	1.5"	14.4"	F07	24"	37.5"	46.3"	79.4"	48.5"	62"
mm	DN80	216	283	283	298	356	359	310	152	-	38	-	F07	16	28	32	44	34	36
Inch	3"	8.1/2"	11.1/8"	11.1/8"	11.3/4"	14"	14.1/8"	12.3/16"	6"	-	1.5"	-	F07	35"	62"	71"	97"	75"	80"

NOTE:
 For size DN 50 or 2" gear operated for class 300 to 600 or PN 40 to 100
 For size DN 80 or 3" gear operated for all pressure ratings

