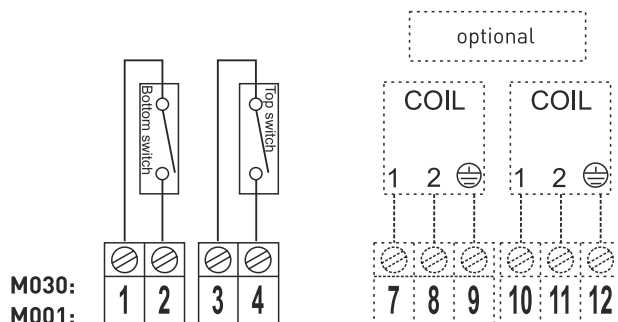




Endschaltertyp Switch type	CHERRY, D41X (SPST, NO)	CROUZET, 83161.801 (SPST, NO)	
Elektrische Anschlusswerte Electrical supply data	U: 30 V DC / I: 15 mA / P: 35 mW C, L: vernachlässigbar / negligible	U: 30 V DC / I: 15 mA / P: 35 mW C, L: vernachlässigbar / negligible	
Kontakte Contacts	Gold	Gold	
SIL Level SIL Level	SIL 1 - 3 (IEC 61508:2010)	SIL 1 - 3 (IEC 61508:2010)	
ATEX/IECEx ATEX/IECEx	⊕ II 2G Ex ia IIC/IIB T6/T4 Gb ⊕ II 2D Ex ia IIIC T80 °C/T110 °C Db	⊕ II 2G Ex ia IIC/IIB T6/T4 Gb ⊕ II 2D Ex ia IIIC T80 °C/T110 °C Db	
EU-Baumusterprüfbescheinigung EU-Type examination certificate	IBExU 11 ATEX 1154 IECEx IBE 13.0042	IBExU 11 ATEX 1154 IECEx IBE 13.0042	
Ex-Zone Ex zone	Zone 1, 2 Zone 21, 22	Zone 1, 2 Zone 21, 22	
Umgebungstemperatur Ambient temperature	Ves.: -25 °C ... +70 °C (T4: +80 °C) Alu.: (-40 °C) -25 °C ... +70 °C (T4: +100 °C)	Ves.: -25 °C ... +70 °C (T4: +80 °C) Alu.: (-40 °C) -25 °C ... +70 °C (T4: +100 °C)	
Max. Schalteranzahl Max. number of switches	4	4	
Artikelnummer* Part number*	EVP2M01-G-IA, EVE2M01-G-IA EAE2M01-G-IA	EVP2M01-488-IA, EVE2M01-488-IA EAE2M01-488-IA	

*Allgemeiner Bestellschlüssel am Kapitelende
*General ordering code at the end of chapter

Klemmplan Wiring diagram

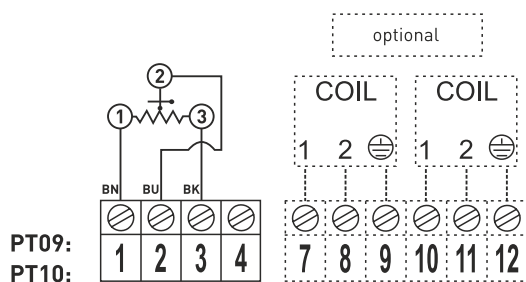




Potentiometertyp Potentiometer type	Contelec, WAL305-5K		
Elektrische Anschlusswerte Electrical supply data	U _i : 13,8 V DC / I _i : 35 mA (T4), 10 mA (T6) P: 121 mW C, L: vernachlässigbar / negligible		
Anschlusswiderstand Nominal resistance	5k Ohm ±20 %		
Mechanischer Stellbereich Mechanical range	360°		
Elektrischer Winkel Electrical angle	120° ± 60° über elektr. Mitte 120° ± 60° over electr. middle		
Unabhängige Linearität Independent linearity	± 0,5 %		
Umgebungstemperatur Ambient temperature	-25 °C...+70 °C		
ATEX/IECEx ATEX/IECEx	⊕ II 2G Ex ia IIC/IIB T6/T4 Gb ⊕ II 2D Ex ia IIIC T80 °C/T110 °C Db		
EU-Baumusterprüfbescheinigung EU-Type examination certificate	IBExU 11 ATEX 1154 IECEx IBE 13.0042		
Ex-Zone Ex zone	Zone 1, 2 Zone 21, 22		
Max. Schalteranzahl Max. number of switches	1		
Artikelnummer* Part number*	EVP1PT01-5K-IA, EVE1PT01-5K-IA EAE1PT01-5K-IA		

*Allgemeiner Bestellschlüssel am Kapitelende
*General ordering code at the end of chapter

Klemmplan Wiring diagram

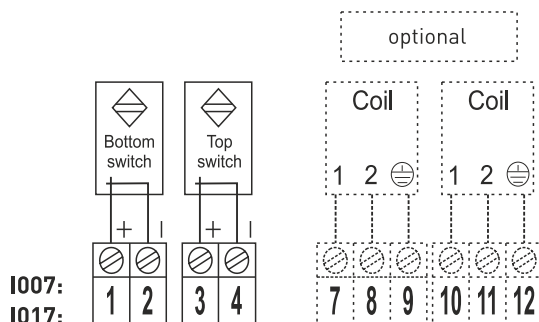




Endschaltertyp Switch type	IFM, NS5002 (NAMUR Öffner / NC)	P+F, NJ2-V3-N (NAMUR Öffner / NC)	Turck, Bi2-Q10S-Y1X (NAMUR Öffner / NC)
Nennspannung Nominal voltage	8,2 V DC	8,2 V DC	8,2 V DC
Stromaufnahme Current consumption	≤ 1,0 mA - betätigt / actuated ≥ 2,1 mA - unbetätigt / non-actuated	≤ 1 mA - betätigt / actuated ≥ 3 mA - unbetätigt / non-actuated	≤ 1,2 mA - betätigt / actuated ≥ 2,1 mA - unbetätigt / non-actuated
Schaltfrequenz Switching frequency	800 Hz	1000 Hz	1000 Hz
SIL Level SIL Level	SIL 1 - 3 (IEC 61508:2010)	SIL 1 - 3 (IEC 61508:2010)	SIL 1 - 3 (IEC 61508:2010)
ATEX/IECEx ATEX/IECEx	Ⓜ II 2G Ex ia IIC/IIB T6/T4 Gb Ⓜ II 2D Ex ia IIIC T80 °C/T110 °C Db	Ⓜ II 2G Ex ia IIC/IIB T6/T4 Gb Ⓜ II 2D Ex ia IIIC T80 °C/T110 °C Db	Ⓜ II 2G Ex ia IIC/IIB T6/T4 Gb Ⓜ II 2D Ex ia IIIC T80 °C/T110 °C Db
EU-Baumusterprüfbescheinigung EU-Type examination certificate	EPS 14 ATEX 1641 X IECEx EPS 14.0015X	EPS 14 ATEX 1641 X IECEx EPS 14.0015X	EPS 14 ATEX 1641 X IECEx EPS 14.0015X
Ex-Zone Ex zone	Zone 1, 2 Zone 21, 22	Zone 1, 2 Zone 21, 22	Zone 1, 2 Zone 21, 22
Umgebungstemperatur Ambient temperature	-20 °C ... +70 °C	Vestamid: -25 °C ... +70 °C (T4: +80 °C) Aluminium: -25 °C ... +70 °C (T4: +100 °C)	-25 °C ... +70 °C
Max. Schalteranzahl Max. number of switches	4	4	4
Artikelnummer* Part number*	EVP2I01-14-IA, EVE2I01-14-IA EAE2I01-14-IA	EVP2I01-IA, EVE2I01-IA EAE2I01-IA	EVP2I01-130-IA, EVE2I01-130-IA EAE2I01-130-IA

*Allgemeiner Bestellschlüssel am Kapitelende
*General ordering code at the end of chapter

Klemmplan Wiring diagram

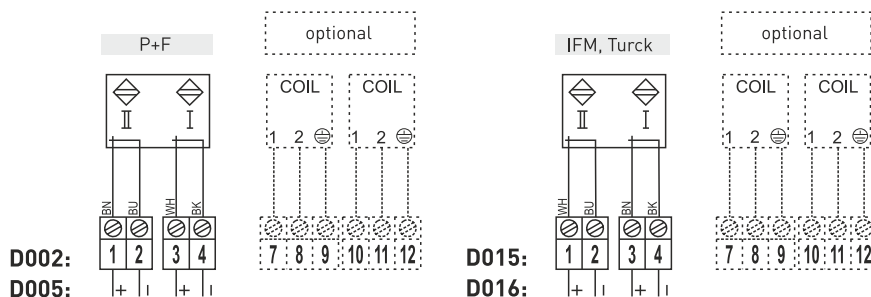




Endschaltertyp Switch type	IFM, NN5009 (NAMUR, 2x Öffner / NC)	P+F, NCN3-F25-N4-0,14 (NAMUR, 2x Öffner / NC)	Turck, Ni4-DSC26-2Y1X2 (NAMUR, 2x Öffner / NC)
Nennspannung Nominal voltage	8,2 V DC	8,2 V DC	8,2 V DC
Stromaufnahme Current consumption	≤ 1 mA - betätigt / actuated ≥ 2,1 mA - unbetätigt / non-actuated	≤ 1 mA - betätigt / actuated ≥ 3 mA - unbetätigt / non-actuated	≤ 1,2 mA - betätigt / actuated ≥ 2,1 mA - unbetätigt / non-actuated
Schaltfrequenz Switching frequency	1800 Hz	1500 Hz	50 Hz
SIL Level SIL Level	SIL 1 - 3 (IEC 61508:2010)	SIL 1 - 3 (IEC 61508:2010)	SIL 1 - 3 (IEC 61508:2010)
ATEX/IECEx ATEX/IECEx	⊕ II 2G Ex ia IIC/IIB T6/T4 Gb ⊕ II 2D Ex ia IIIC T80 °C/T110 °C Db	⊕ II 2G Ex ia IIC/IIB T6/T4 Gb ⊕ II 2D Ex ia IIIC T80 °C/T110 °C Db	⊕ II 2G Ex ia IIC/IIB T6/T4 Gb ⊕ II 2D Ex ia IIIC T80 °C/T110 °C Db
EU-Baumusterprüfbescheinigung EU-Type examination certificate	IBExU 11 ATEX 1154 IECEx IBE 13.0042	IBExU 11 ATEX 1154 IECEx IBE 13.0042	IBExU 11 ATEX 1154 IECEx IBE 13.0042
Ex-Zone Ex zone	Zone 1, 2 Zone 21, 22	Zone 1, 2 Zone 21, 22	Zone 1, 2 Zone 21, 22
Umgebungstemperatur Ambient temperature	-20 °C ... +70 °C (T4: +80 °C)	Vestamid: -25 °C ... +70 °C (T4: +80 °C) Aluminium: -25 °C ... +70 °C (T4: +100 °C)	-25 °C ... +70 °C
Max. Schalteranzahl Max. number of switches	1	1	1
Artikelnummer* Part number*	EVP1D01-67-IA, EVE1D01-67-IA EAE1D01-67-IA	EVP1D01-295-IA, EVE1D01-295-IA EAE1D01-295-IA	EVP1D01-434-IA, EVE1D01-434-IA EAE1D01-434-IA

*Allgemeiner Bestellschlüssel am Kapitelende
*General ordering code at the end of chapter

Klemmplan Wiring diagram

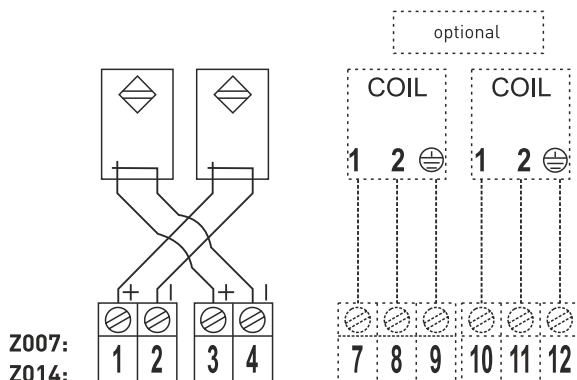




Endschaltertyp Switch type	IFM, NF5001 (NAMUR Öffner / NC)	P+F, NJ2-12GK-N (NAMUR Öffner / NC)	Turck, Bi2-P12-Y1X (NAMUR Öffner / NC)
Nennspannung Nominal voltage	8,2 V DC	8,2 V DC	8,2 V DC
Stromaufnahme Current consumption	≤ 1 mA - betätigt / actuated ≥ 2,1 mA - unbetätigt / non-actuated	≤ 1 mA - betätigt / actuated ≥ 3 mA - unbetätigt / non-actuated	≤ 1,2 mA - betätigt / actuated ≥ 2,1 mA - unbetätigt / non-actuated
Schaltfrequenz Switching frequency	1200 Hz	2000 Hz	5000 Hz
SIL Level SIL Level	SIL 1 - 3 (IEC 61508:2010)	SIL 1 - 3 (IEC 61508:2010)	SIL 1 - 3 (IEC 61508:2010)
ATEX/IECEx ATEX/IECEx	⊕ II 2G Ex ia IIC/IIB T6/T4 Gb ⊕ II 2D Ex ia IIIC T80 °C/T110 °C Db	⊕ II 2G Ex ia IIC/IIB T6/T4 Gb ⊕ II 2D Ex ia IIIC T80 °C/T110 °C Db	⊕ II 2G Ex ia IIC/IIB T6/T4 Gb ⊕ II 2D Ex ia IIIC T80 °C/T110 °C Db
EU-Baumusterprüfbescheinigung EU-Type examination certificate	IBExU 11 ATEX 1154 IECEx IBE 13.0042	IBExU 11 ATEX 1154 IECEx IBE 13.0042	IBExU 11 ATEX 1154 IECEx IBE 13.0042
Ex-Zone Ex zone	Zone 1, 2 Zone 21, 22	Zone 1, 2 Zone 21, 22	Zone 1, 2 Zone 21, 22
Umgebungstemperatur Ambient temperature	-20 °C ... +70 °C (T4: +80 °C)	Vestamid: -25 °C ... +70 °C (T4: +80 °C) Aluminium: -25 °C ... +70 °C (T4: +100 °C)	-25 °C ... +70 °C
Max. Schalteranzahl Max. number of switches	2	2	2
Artikelnummer* Part number*	EVP2I01-309-IA, EVE2I01-309-IA EAE2I01-309-IA	EVP2I01-5-IA, EVE2I01-5-IA EAE2I01-5-IA	EVP2I01-430-IA, EVE2I01-430-IA EAE2I01-430-IA

*Allgemeiner Bestellschlüssel am Kapitelende
*General ordering code at the end of chapter

Klemmplan Wiring diagram



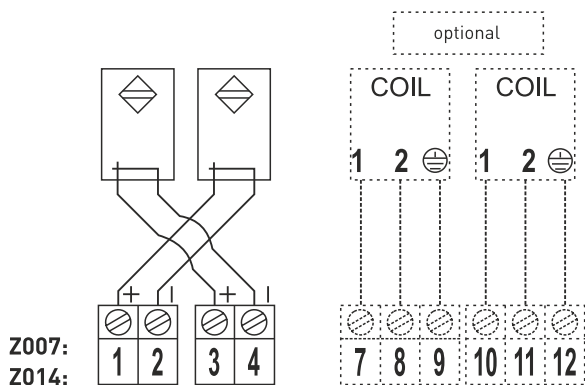


Mit Sicherheitsfunktion
With safety function

Endschaltertyp Switch type	P+F, NJ2-12GK-SN (NAMUR Öffner / NC)		
Nennspannung Nominal voltage	8,2 V DC		
Stromaufnahme Current consumption	≤ 1 mA - betätigt / actuated ≥ 3 mA - unbetätigt / non-actuated		
Schaltfrequenz Switching frequency	2000 Hz		
SIL Level SIL Level	SIL 1 - 3 (IEC 61508:2010)		
ATEX/IECEX ATEX/IECEX	⊗ II 2G Ex ia IIC/IIB T6/T4 Gb ⊗ II 2D Ex ia IIIC T80 °C/T110 °C Db		
EU-Baumusterprüfbescheinigung EU-Type examination certificate	IBEXU 11 ATEX 1154 IECEX IBE 13.0042		
Ex-Zone Ex zone	Zone 1, 2 Zone 21, 22		
Umgebungstemperatur Ambient temperature	Ves.: -25 °C ... +70 °C (T4: +80 °C) Alu.: [-40 °C] -25 °C ... +70 °C (T4: +100 °C)		
Max. Schalteranzahl Max. number of switches	2		
Artikelnummer* Part number*	EVP2101-77-IA, EVE2101-77-IA EAE2101-77-IA		

*Allgemeiner Bestellschlüssel am Kapitelende
*General ordering code at the end of chapter

Klemmplan Wiring diagram

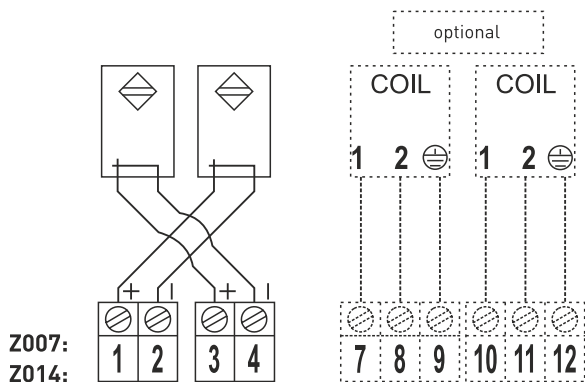




Endschaltertyp Switch type	IFM, NG5002 (NAMUR Öffner / NC)	P+F, NCB5-18GM40-N0 (NAMUR Öffner / NC)	Turck, Bi5-G18-Y1X (NAMUR Öffner / NC)
Nennspannung Nominal voltage	8,2 V DC	8,2 V DC	8,2 V DC
Stromaufnahme Current consumption	≤ 1 mA - betätigt / actuated ≥ 2,1 mA - unbetätigt / non-actuated	≤ 1 mA - betätigt / actuated ≥ 3 mA - unbetätigt / non-actuated	≤ 1,2 mA - betätigt / actuated ≥ 2,1 mA - unbetätigt / non-actuated
Schaltfrequenz Switching frequency	720 Hz	400 Hz	1000 Hz
SIL Level SIL Level	SIL 1 - 3 (IEC 61508:2010)	SIL 1 - 3 (IEC 61508:2010)	SIL 1 - 3 (IEC 61508:2010)
ATEX/IECEx ATEX/IECEx	⊕ II 2G Ex ia IIC/IIB T6/T4 Gb ⊕ II 2D Ex ia IIIC T80 °C/T110 °C Db	⊕ II 2G Ex ia IIC/IIB T6/T4 Gb ⊕ II 2D Ex ia IIIC T80 °C/T110 °C Db	⊕ II 2G Ex ia IIC/IIB T6/T4 Gb ⊕ II 2D Ex ia IIIC T80 °C/T110 °C Db
EU-Baumusterprüfbescheinigung EU-Type examination certificate	IBExU 11 ATEX 1154 IECEx IBE 13.0042	IBExU 11 ATEX 1154 IECEx IBE 13.0042	IBExU 11 ATEX 1154 IECEx IBE 13.0042
Ex-Zone Ex zone	Zone 1, 2 Zone 21, 22	Zone 1, 2 Zone 21, 22	Zone 1, 2 Zone 21, 22
Umgebungstemperatur Ambient temperature	-20 °C ... +70 °C (T4: +80 °C)	Vestamid: -25 °C ... +70 °C (T4: +80 °C) Aluminium: -25 °C ... +70 °C (T4: +100 °C)	-25 °C ... +70 °C
Max. Schalteranzahl Max. number of switches	2	2	2
Artikelnummer* Part number*	EVP2101-70-IA, EVE2101-70-IA EAE2101-70-IA	EVP2101-169-IA, EVE2101-169-IA EAE2101-169-IA	EVP2101-379-IA, EVE2101-379-IA EAE2101-379-IA

*Allgemeiner Bestellschlüssel am Kapitelende
*General ordering code at the end of chapter

Klemmplan Wiring diagram

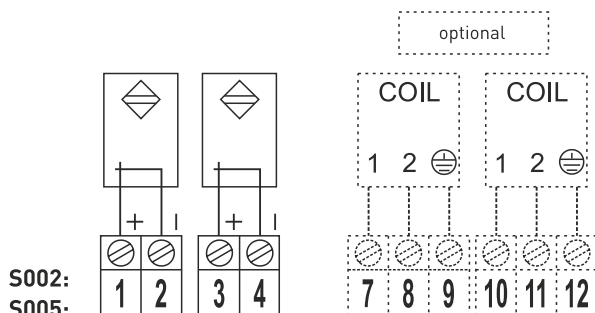




Endschaltertyp Switch type	IFM, N7S23A (NAMUR Öffner / NC)	P+F, SJ3,5-N (NAMUR Öffner / NC)	Turck, Si3,5-K10-Y1 (NAMUR Öffner / NC)
Nennspannung Nominal voltage	8,2 V DC	8,2 V DC	8,2 V DC
Stromaufnahme Current consumption	≤ 1 mA - betätigt / actuated ≥ 2,1 mA - unbetätigt / non-actuated	≤ 1 mA - betätigt / actuated ≥ 3 mA - unbetätigt / non-actuated	≤ 1,2 mA - betätigt / actuated ≥ 2,1 mA - unbetätigt / non-actuated
Schaltfrequenz Switching frequency	3000 Hz	3000 Hz	3000 Hz
SIL Level SIL Level	SIL 1 - 3 (IEC 61508:2010)	SIL 1 - 3 (IEC 61508:2010)	SIL 1 - 3 (IEC 61508:2010)
ATEX/IECEx ATEX/IECEx	⊕ II 2G Ex ia IIC/IIB T6/T4 Gb ⊕ II 2D Ex ia IIIC T80 °C/T110 °C Db	⊕ II 2G Ex ia IIC/IIB T6/T4 Gb ⊕ II 2D Ex ia IIIC T80 °C/T110 °C Db	⊕ II 2G Ex ia IIC/IIB T6/T4 Gb ⊕ II 2D Ex ia IIIC T80 °C/T110 °C Db
EU-Baumusterprüfbescheinigung EU-Type examination certificate	IBExU 11 ATEX 1154 IECEx IBE 13.0042	IBExU 11 ATEX 1154 IECEx IBE 13.0042	IBExU 11 ATEX 1154 IECEx IBE 13.0042
Ex-Zone Ex zone	Zone 1, 2 Zone 21, 22	Zone 1, 2 Zone 21, 22	Zone 1, 2 Zone 21, 22
Umgebungstemperatur Ambient temperature	Ves.: -25 °C ... +70 °C (T4: +80 °C) Alu.: (-40 °C) -25 °C ... +70 °C (T4: +100 °C)	Vestamid: -25 °C ... +70 °C (T4: +80 °C) Aluminium: -25 °C ... +70 °C (T4: +100 °C)	-25 °C ... +70 °C
Max. Schalteranzahl Max. number of switches	3	3	3
Artikelnummer* Part number*	EVP2S01-332-IA, EVE2S01-332-IA EAE2S01-332-IA	EVP2S01-IA, EVE2S01-IA EAE2S01-IA	EVP2S01-372-IA, EVE2S01-372-IA EAE2S01-372-IA

*Allgemeiner Bestellschlüssel am Kapitelende
*General ordering code at the end of chapter

Klemmplan Wiring diagram

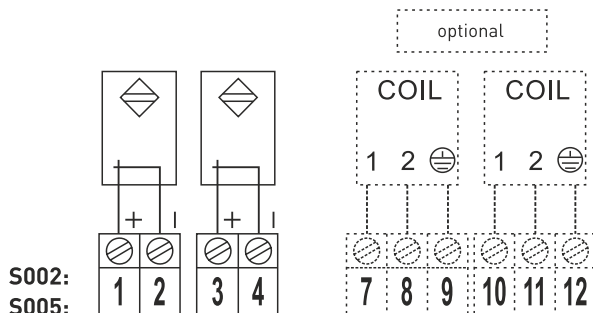




Endschaltertyp Switch type	P+F, SC3,5-N0-BU (NAMUR Öffner / NC)	Turck, Si3,5-K10-Y1X (NAMUR Öffner / NC)	
Nennspannung Nominal voltage	8,2 V DC	8,2 V DC	
Stromaufnahme Current consumption	≤ 1 mA - betätigt / actuated ≥ 3 mA - unbetätigt / non-actuated	≤ 1,2 mA - betätigt / actuated ≥ 2,1 mA - unbetätigt / non-actuated	
Schaltfrequenz Switching frequency	3000 Hz	3000 Hz	
SIL Level SIL Level	SIL 1 - 3 (IEC 61508:2010)	SIL 1 - 3 (IEC 61508:2010)	
ATEX/IECEx ATEX/IECEx	Ⓢ II 2G Ex ia IIC/IIB T6/T4 Gb Ⓢ II 2D Ex ia IIIC T80 °C/T110 °C Db	Ⓢ II 2G Ex ia IIC/IIB T6/T4 Gb Ⓢ II 2D Ex ia IIIC T80 °C/T110 °C Db	
EU-Baumusterprüfbescheinigung EU-Type examination certificate	IBExU 11 ATEX 1154 IECEx IBE 13.0042	IBExU 11 ATEX 1154 IECEx IBE 13.0042	
Ex-Zone Ex zone	Zone 1, 2 Zone 21, 22	Zone 1, 2 Zone 21, 22	
Umgebungstemperatur Ambient temperature	Vestamid: -25 °C ... +70 °C (T4: +80 °C) Aluminium: -25 °C ... +70 °C (T4: +100 °C)	-25 °C ... +70 °C	
Max. Schalteranzahl Max. number of switches	3	3	
Artikelnummer* Part number*	EVP2S01-129-IA, EVE2S01-129-IA EAE2S01-129-IA	EVP2S01-373-IA, EVE2S01-373-IA EAE2S01-373-IA	

*Allgemeiner Bestellschlüssel auf Seite w.43
*General ordering code on page w.43

Klemmplan Wiring diagram



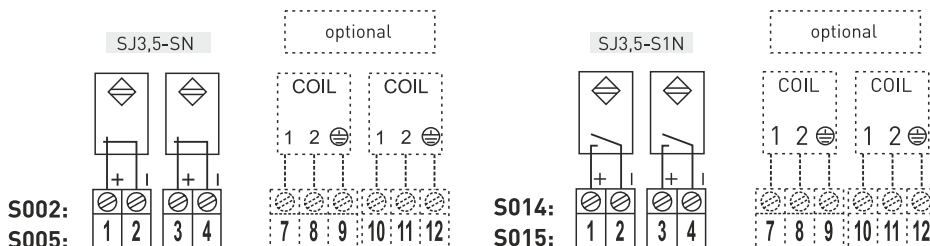


Mit Sicherheitsfunktion
With safety function

Endschaltertyp Switch type	P+F, SJ3,5-SN (NAMUR Öffner / NC)	P+F, SJ3,5-S1N (NAMUR Schließer / NO)	
Nennspannung Nominal voltage	8,2 V DC	8,2 V DC	
Stromaufnahme Current consumption	0,2 - 1 mA - betätigt / actuated ≥ 3 mA - unbetätigt / non-actuated	≥ 3 mA - betätigt / actuated 0,2 - 1 mA - unbetätigt / non-actuated	
Schaltfrequenz Switching frequency	3000 Hz	2500 Hz	
SIL Level SIL Level	SIL 1 - 3 (IEC 61508:2010)	SIL 1 - 3 (IEC 61508:2010)	
ATEX/IECEx ATEX/IECEx	⊕ II 2G Ex ia IIC/IIB T6/T4 Gb ⊕ II 2D Ex ia IIIC T80 °C/T110 °C Db	⊕ II 2G Ex ia IIC/IIB T6/T4 Gb ⊕ II 2D Ex ia IIIC T80 °C/T110 °C Db	
EU-Baumusterprüfbescheinigung EU-Type examination certificate	IBExU 11 ATEX 1154 IECEx IBE 13.0042	IBExU 11 ATEX 1154 IECEx IBE 13.0042	
Ex-Zone Ex zone	Zone 1, 2 Zone 21, 22	Zone 1, 2 Zone 21, 22	
Umgebungstemperatur Ambient temperature	Vestamid: -25 °C ... +70 °C (T4: +80 °C) Aluminium: -25 °C ... +70 °C (T4: +100 °C)	Vestamid: -25 °C ... +70 °C (T4: +80 °C) Aluminium: -25 °C ... +70 °C (T4: +100 °C)	
Max. Schalteranzahl Max. number of switches	3	3	
Artikelnummer* Part number*	EVP2S01-28-IA, EVE2S01-28-IA EAE2S01-28-IA	EVP2S01-40-IA, EVE2S01-40-IA EAE2S01-40-IA	

*Allgemeiner Bestellschlüssel am Kapitelende
*General ordering code at the end of chapter

Klemmplan Wiring diagram

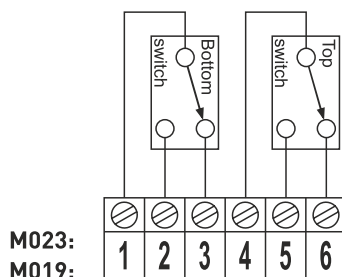




Endschalterttyp Switch type	Bartec, 07-1511-1030 (SPDT, NO/NC)	Bartec, 07-1511-3530 (SPDT, NO/NC)	Crouzet, 83139 1 (SPDT, NO/NC)
Spannung Voltage	24 - 250 V AC/DC	24 - 250 V AC/DC	24 - 240 V AC/DC
Betriebsstrom Operating current	0,1 - 4 A	20 - 400 mA	0,15 - 4 A
Kontakte Contacts	Silber Silver	Gold	Silber Silver
SIL Level SIL Level	SIL 1 - 3 (IEC 61508:2010)	SIL 1 - 3 (IEC 61508:2010)	SIL 1 - 3 (IEC 61508:2010)
ATEX/IECEx ATEX/IECEx	⊕ II 2G Ex db eb IIC/IIB T6 Gb ⊕ II 2D Ex tb IIIC T80 °C Db	⊕ II 2G Ex db eb IIC/IIB T6 Gb ⊕ II 2D Ex tb IIIC T80 °C Db	⊕ II 2G Ex db eb IIC/IIB T6 Gb ⊕ II 2D Ex tb IIIC T80 °C Db
EU-Baumusterprüfbescheinigung EU-Type examination certificate	IBExU 12 ATEX 1022 X IECEx IBE 13.0041 X	IBExU 12 ATEX 1022 X IECEx IBE 13.0041 X	IBExU 12 ATEX 1022 X IECEx IBE 13.0041 X
Ex-Zone Ex zone	Zone 1, 2 Zone 21, 22	Zone 1, 2 Zone 21, 22	Zone 1, 2 Zone 21, 22
Umgebungstemperatur Ambient temperature	Vestamid: -20 °C ... +40 °C Aluminium: -20 °C ... +60 °C	Vestamid: -20 °C ... +40 °C Aluminium: -20 °C ... +60 °C	Vestamid: -20 °C ... +40 °C Aluminium: -20 °C ... +60 °C
Max. Schalteranzahl Max. number of switches	3	3	3
Artikelnummer* Part number*	EVP2M01-551-ED, EVE2M01-551-ED EAE2M01-551-ED	EVP2M01-554-ED, EVE2M01-554-ED EAE2M01-554-ED	EVP2M01-388-ED, EVE2M01-388-ED EAE2M01-388-ED

*Allgemeiner Bestellschlüssel am Kapitelende
*General ordering code at the end of chapter

Klemmplan Wiring diagram



Magnetventilanschluss nicht möglich.
Solenoid valve connection not possible.



Bild folgt
Image follows

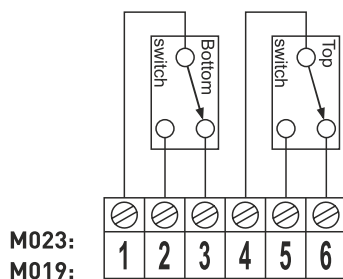
Bild folgt
Image follows

Bild folgt
Image follows

Endschaltertyp Switch type	Bartec, 07-1511-5530 (SPDT, NO/NC)	Bartec, 07-1511-8530 (SPDT, NO/NC)	Crouzet, 83139 1 (SPDT, NO/NC)
Spannung Voltage	24 - 250 V AC/DC	24 - 250 V AC/DC	24 - 240 V AC/DC
Betriebsstrom Operating current	0,1 - 4 A	20 - 400 mA	0,15 - 4 A
Kontakte Contacts	Silber Silver	Gold	Silber Silver
SIL Level SIL Level	SIL 1 - 3 (IEC 61508:2010)	SIL 1 - 3 (IEC 61508:2010)	SIL 1 - 3 (IEC 61508:2010)
ATEX/IECEx ATEX/IECEx	⊕ II 2G Ex db eb IIC/IIB T6 Gb ⊕ II 2D Ex tb IIIC T80 °C Db	⊕ II 2G Ex db eb IIC/IIB T6 Gb ⊕ II 2D Ex tb IIIC T80 °C Db	⊕ II 2G Ex db eb IIC/IIB T6 Gb ⊕ II 2D Ex tb IIIC T80 °C Db
EU-Baumusterprüfbescheinigung EU-Type examination certificate	IBExU 12 ATEX 1022 X IECEx IBE 13.0041 X	IBExU 12 ATEX 1022 X IECEx IBE 13.0041 X	IBExU 12 ATEX 1022 X IECEx IBE 13.0041 X
Ex-Zone Ex zone	Zone 1, 2 Zone 21, 22	Zone 1, 2 Zone 21, 22	Zone 1, 2 Zone 21, 22
Umgebungstemperatur Ambient temperature	(-55 °C) -40 °C ... +60 °C	(-55 °C) -40 °C ... +60 °C	-40 °C ... +60 °C
Max. Schalteranzahl Max. number of switches	3	3	3
Artikelnummer* Part number*	EAE2M01-556-ED-40°C EAE2M01-556-ED-55°C	EAE2M01-558-ED-40°C EAE2M01-558-ED-55°C	EAE2M01-388-ED-40°C

*Allgemeiner Bestellschlüssel am Kapitelende
*General ordering code at the end of chapter

Klemmplan Wiring diagram



Magnetventilanschluss nicht möglich.
Solenoid valve connection not possible.



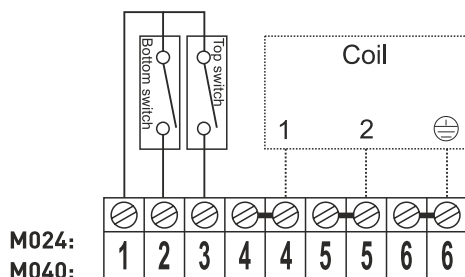
Gehäuse mit 2x M20x1,5
Housing with 2x M20x1,5



Endschaltertyp Switch type	Bartec, 07-1511-1020 (SPST, NO)	Bartec, 07-1511-3520 (SPST, NO)	
Spannung Voltage	Max. 24 V DC	5 - 24 V DC	
Betriebsstrom Operating current	0,1 - 4 A	20 - 400 mA	
Kontakte Contacts	Silber Silver	Gold	
SIL Level SIL Level	SIL 1 - 3 (IEC 61508:2010)	SIL 1 - 3 (IEC 61508:2010)	
ATEX/IECEx ATEX/IECEx	⊕ II 2G Ex db eb IIC/IIB T6 Gb ⊕ II 2D Ex tb IIIC T80 °C Db	⊕ II 2G Ex db eb IIC/IIB T6 Gb ⊕ II 2D Ex tb IIIC T80 °C Db	
EU-Baumusterprüfbescheinigung EU-Type examination certificate	IBExU 12 ATEX 1022 X IECEx IBE 13.0041 X	IBExU 12 ATEX 1022 X IECEx IBE 13.0041 X	
Ex-Zone Ex zone	Zone 1, 2 Zone 21, 22	Zone 1, 2 Zone 21, 22	
Umgebungstemperatur Ambient temperature	Vestamid: -20 °C ... +40 °C Aluminium: -20 °C ... +60 °C	Vestamid: -20 °C ... +40 °C Aluminium: -20 °C ... +60 °C	
Max. Schalteranzahl Max. number of switches	3	3	
Artikelnummer* Part number*	EVP2M01-552-ED-2KV, EVE2M01-552-ED-2KV EAE2M01-552-ED-2KV	EVP2M01-553-ED-2KV, EVE2M01-553-ED-2KV EAE2M01-553-ED-2KV	

*Allgemeiner Bestellschlüssel am Kapitelende
*General ordering code at the end of chapter

Klemmplan Wiring diagram



Magnetventilanschluss:
1 Spule, max. 24V DC,
I max. = 4A, min. 0,5mm²
Solenoid valve connection:
1 coil, max. 24V DC,
I max. = 4A, min. 0,5mm²



Bild folgt
Image follows

Bild folgt
Image follows

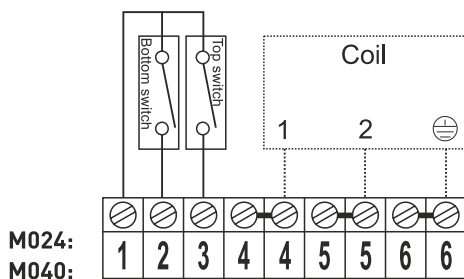
Gehäuse mit 2x M20x1,5
Housing with 2x M20x1,5



Endschaltertyp Switch type	Bartec, 07-1511-5520 (SPST, NO)	Bartec, 07-1511-8520 (SPST, NO)	
Spannung Voltage	Max. 24 V DC	Max. 24 V DC	
Betriebsstrom Operating current	0,1 - 4 A	20 - 400 mA	
Kontakte Contacts	Silber Silver	Gold	
SIL Level SIL Level	SIL 1 - 3 (IEC 61508:2010)	SIL 1 - 3 (IEC 61508:2010)	
ATEX/IECEx ATEX/IECEx	Ⓜ II 2G Ex db eb IIC/IIB T6 Gb Ⓜ II 2D Ex tb IIIC T80 °C Db	Ⓜ II 2G Ex db eb IIC/IIB T6 Gb Ⓜ II 2D Ex tb IIIC T80 °C Db	
EU-Baumusterprüfbescheinigung EU-Type examination certificate	IBExU 12 ATEX 1022 X IECEx IBE 13.0041 X	IBExU 12 ATEX 1022 X IECEx IBE 13.0041 X	
Ex-Zone Ex zone	Zone 1, 2 Zone 21, 22	Zone 1, 2 Zone 21, 22	
Umgebungstemperatur Ambient temperature	-55 °C ... +60 °C	-55 °C ... +60 °C	
Max. Schalteranzahl Max. number of switches	3	3	
Artikelnummer* Part number*	EAE2M01-555-ED-2KV-40°C EAE2M01-555-ED-2KV-55°C	EAE2M01-557-ED-2KV-40°C EAE2M01-557-ED-2KV-55°C	

*Allgemeiner Bestellschlüssel am Kapitelende
*General ordering code at the end of chapter

Klemmplan Wiring diagram



Magnetventilanschluss:
1 Spule, max. 24V DC,
I max. = 4A, min. 0,5mm²
Solenoid valve connection:
1 coil, max. 24V DC,
I max. = 4A, min. 0,5mm²



Endschaltertyp Switch type	Cherry, D41X (SPDT, NO/NC)	CROUZET, 83161.801 (SPDT, NO/NC)	
Spannung Voltage	24 - 250 V AC/DC	24 - 250 V AC/DC	
Betriebsstrom Operating current	AC: 250 V, 0,1 A DC: 24 V, 0,1 A	Silber: AC: 250 V, 10,0 A / DC: 24 V, 2,5 A Gold: AC: 250 V, 0,1 A / DC: 24 V, 0,1 A	
Kontakte Contacts	Gold	Silber/Gold Silver/Gold	
SIL Level SIL Level	SIL 1 - 3 (IEC 61508:2010)	SIL 1 - 3 (IEC 61508:2010)	
ATEX/IECEx ATEX/IECEx	⊕ II 2D Ex tb IIIC T80 °C Db ⊕ II 3D Ex tc IIIC T80 °C Dc	⊕ II 2D Ex tb IIIC T80 °C Db ⊕ II 3D Ex tc IIIC T80 °C Dc	
EU-Baumusterprüfbescheinigung EU-Type examination certificate	IBEXU 12 ATEX 1022 X IECEX IBE 13.0041 X	IBEXU 12 ATEX 1022 X IECEX IBE 13.0041 X	
Ex-Zone Ex zone	Zone 21, 22	Zone 21, 22	
Umgebungstemperatur Ambient temperature	Vestamid: -20 °C ... +40 °C Aluminium: -20 °C ... +60 °C	Vestamid: -20 °C ... + 40°C Aluminium: -20 °C ... + 60°C	
Max. Schalteranzahl Max. number of switches	4	4	
Artikelnummer* Part number*	EVP2M01-G-K2D, EVE2M01-G-K2D EAE2M01-G-K2D	EVP2M01-488-K2D, EVE2M01-488-K2D EAE2M01-488-K2D	

*Allgemeiner Bestellschlüssel am Kapitelende
*General ordering code at the end of chapter

Klemmplan Wiring diagram

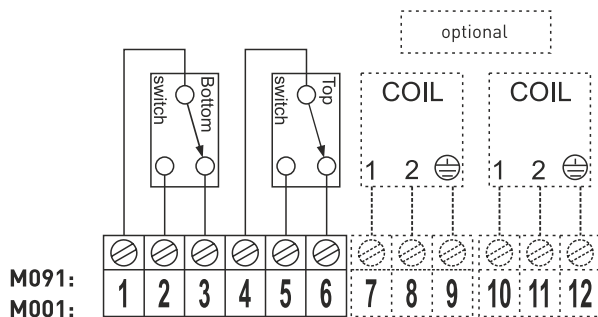




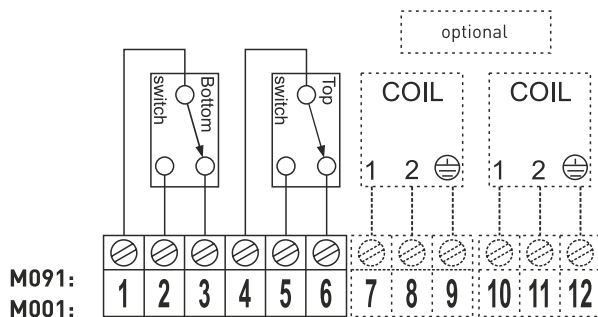
Bild folgt
Image follows

Bild folgt
Image follows

Endschaltertyp Switch type	Cherry, D41X (SPDT, NO/NC)	CROUZET, 83161.801 (SPDT, NO/NC)	
Spannung Voltage	24 - 250 V AC/DC	24 - 250 V AC/DC	
Betriebsstrom Operating current	AC: 250 V, 0,1 A DC: 24 V, 0,1 A	Silber: AC: 250 V, 10,0 A / DC: 24 V, 2,5 A Gold: AC: 250 V, 0,1 A / DC: 24 V, 0,1 A	
Kontakte Contacts	Gold	Silber/Gold Silver/Gold	
SIL Level SIL Level	SIL 1 - 3 (IEC 61508:2010)	SIL 1 - 3 (IEC 61508:2010)	
ATEX/IECEx ATEX/IECEx	⊕ II 2D Ex tb IIIC T80 °C Db ⊕ II 3D Ex tc IIIC T80 °C Dc	⊕ II 2D Ex tb IIIC T80 °C Db ⊕ II 3D Ex tc IIIC T80 °C Dc	
EU-Baumusterprüfbescheinigung EU-Type examination certificate	IBEXU 12 ATEX 1022 X IECEX IBE 13.0041 X	IBEXU 12 ATEX 1022 X IECEX IBE 13.0041 X	
Ex-Zone Ex zone	Zone 21, 22	Zone 21, 22	
Umgebungstemperatur Ambient temperature	-40 °C ... +60 °C	-40 °C ... +60 °C	
Max. Schalteranzahl Max. number of switches	4	4	
Artikelnummer* Part number*	EAE2M01-G-K2D-40°C	EAE2M01-488-K2D-40°C	

*Allgemeiner Bestellschlüssel am Kapitelende
*General ordering code at the end of chapter

Klemmplan Wiring diagram

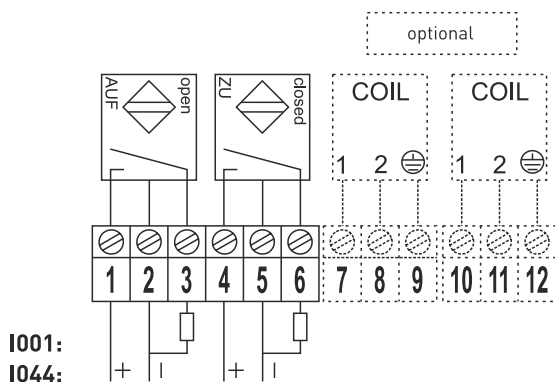




Endschaltertyp Switch type	IFM, IN511A (PNP, NO)		
Spannung Voltage	10 - 36 V DC		
Betriebsstrom Operating current	250 mA		
Schaltfrequenz Switching frequency	1300 Hz		
SIL Level SIL Level	SIL 1-3 (IEC 61508:2010)		
ATEX/IECEX ATEX/IECEX	Ⓜ II 2D Ex tb IIIC T80 °C Db Ⓜ II 3D Ex tc IIIC T80 °C Dc		
EU-Baumusterprüfbescheinigung EU-Type examination certificate	IBEXU 12.ATEX 1022 X IECEX IBE 13.0041 X		
Ex-Zone Ex zone	Zone 21, 22		
Umgebungstemperatur Ambient temperature	Vestamid: -20 °C ... +40 °C Aluminium: -20 °C ... +60 °C		
Max. Schalteranzahl Max. number of switches	3		
Artikelnummer* Part number*	EVP2I01-496-K2D, EVE2I01-496-K2D EAE2I01-496-K2D		

*Allgemeiner Bestellschlüssel am Kapitelende
*General ordering code at the end of chapter

Klemmplan Wiring diagram

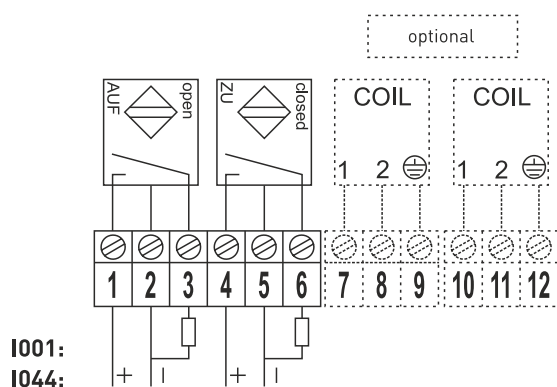




Endschaltertyp Switch type	P+F, NBB2-V3-E2-3G-3D (PNP, NO)		
Spannung Voltage	10 - 30 V DC		
Betriebsstrom Operating current	100 mA		
Schaltfrequenz Switching frequency	1000 Hz		
Leerlaufstrom I₀ No-load supply current I ₀	≤ 15 mA		
SIL Level SIL Level	SIL 1 - 3 (IEC 61508:2010)		
ATEX/IECEX ATEX/IECEX	<ul style="list-style-type: none"> ⊗ II 3G Ex nA IIC T6 Gc ⊗ II 2D Ex tb IIIC T80 °C-T135 °C Db ⊗ II 3D Ex tc IIIC T80 °C-T135 °C Db 		
EU-Baumusterprüfbescheinigung EU-Type examination certificate	IBExU 12 ATEX 1022 X IECEX IBE 13.0041 X		
Ex-Zone Ex zone	Zone 2 Zone 21, 22		
Umgebungstemperatur Ambient temperature	Vestamid: -20 °C ... +40 °C Aluminium: -20 °C ... +60 °C		
Max. Schalteranzahl Max. number of switches	4		
Artikelnummer* Part number*	EVP2I01-356-K3, EVE2I01-356-K3 EAE2I01-356-K3		

*Allgemeiner Bestellschlüssel am Kapitelende
*General ordering code at the end of chapter

Klemmplan Wiring diagram





Endschaltertyp Switch type	P+F, NBB3-V3-Z4-3G-3D (DC, NO)		
Spannung Voltage	5 - 60 V DC		
Betriebsstrom Operating current	4 - 100 mA		
Schaltfrequenz Switching frequency	2000 Hz		
Leerlaufstrom I₀ No-load supply current I ₀	---		
SIL Level SIL Level	SIL 1 - 3 (IEC 61508:2010)		
ATEX/IECEX ATEX/IECEX	<ul style="list-style-type: none"> ⊗ II 3G Ex nA IIC T6 Gc ⊗ II 2D Ex tb IIIC T80 °C-T135 °C Db ⊗ II 3D Ex tc IIIC T80 °C-T135 °C Db 		
EU-Baumusterprüfbescheinigung EU-Type examination certificate	IBExU 12 ATEX 1022 X IECEX IBE 13.0041 X		
Ex-Zone Ex zone	Zone 2 Zone 21, 22		
Umgebungstemperatur Ambient temperature	Vestamid: -20 °C ... +40 °C Aluminium: -20 °C ... +60 °C		
Max. Schalteranzahl Max. number of switches	4		
Artikelnummer* Part number*	EVP2I01-247-K3, EVE2I01-247-K3 EAE2I01-247-K3		

*Allgemeiner Bestellschlüssel am Kapitelende
*General ordering code at the end of chapter

Klemmplan Wiring diagram

