

STAR LINE®



CRYO STAR

forged steel ball valves



PED 97/23 EC



Certificate N° : RPS 0160304/01

ATEX 94/9 CE



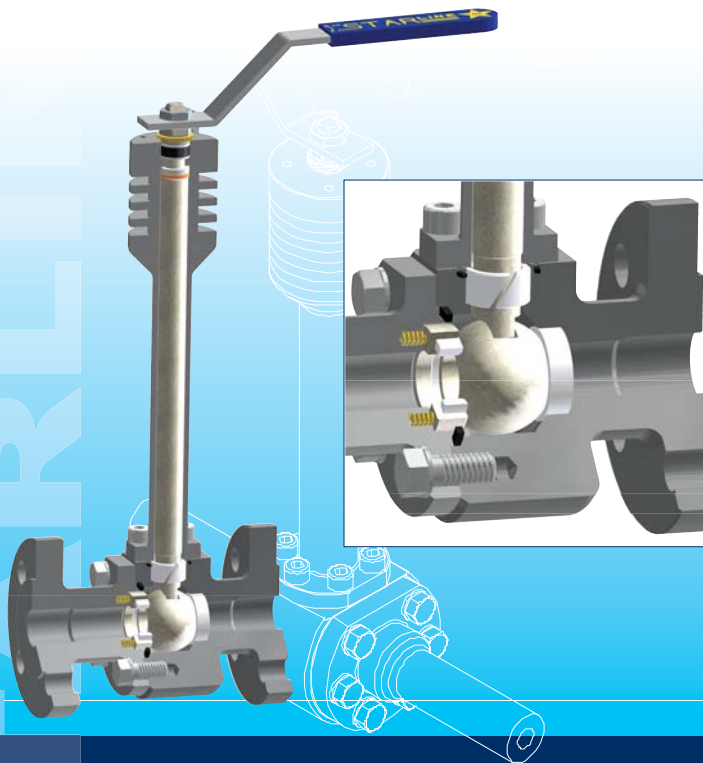
Tech. File N° ST01 ATEX



6D-0233

CRYOSTAR FLOATING BALL

model n.5



Size range:
Pressure rating:

from 1/4" to 4" full bore – 3/4" to 6" reduced bore
from ASME class 150 to 600 – PN 16 to PN 100
Up to 1" also available up to ASME class 1500

Materials of construction:
Leakage rate:

Forged stainless steel 304, 316 and any special alloy
according to all the main international and Customer's
Specifications

End connections:
Fire safe:

All connections available (flanged, welded, screwed or other)
BS 6755, API 607, API 6FA

CRYOSTAR Trunnion Mounted model n. LT 0



Size range:	from 1/2" to 8" full bore – 3/4" to 10" reduced bore
Pressure rating:	from ASME class 150 to 2500 – PN 16 to PN 420
Materials of construction:	Forged stainless steel 304, 316 and any special alloy
Leakage rate:	according to all the main international and Customer's specifications
End connections:	All connections available (flanged, welded, screwed or other)
Fire safe:	BS 6755, API 607, API 6FA



Thermal fins to isolate the stem tightness from the cold temperature



Unidirectional valve on floating execution
Bidirectional valve on trunnion mounted execution



Remarkable tested performance with thermal shock
(drastic change of negative temperature to positive temperature)

REFERENCES

- 2000 to 2007
- 2004
- 2005
- 2006
- 2006/2007

AIR LIQUIDE
POLARIS
CHEMSYS
DOLPHIN PROJECT
YEMEN LNG

CERTIFICATIONS

Our cryogenic ball valves have passed the following witness cryogenic testing with positive results:

BS 6364
SHELL SPE 77/306
TOTAL GS PVV 150
AGIP SPEC. 111544.PIP.MME
ENI SPEC. GA-18

All testings have been performed in Starline plant





MAIN DISTRIBUTORS

Norway, Sweden, Denmark, Netherlands,
Belgium, Switzerland, Austria, Greece,
Brasil, Usa, Canada, Australia, New Zeland, South Africa,
UAE, Czech Republic, Slovakia, Poland
Singapore, Romania, Oman, Saudi Arabia, Kuwait

STARLINE S.p.A.

Via F. Baracca, 30 - 24060 S. PAOLO D' ARGON (Bergamo) ITALY
Phone: + 39 035/958041/958102 - Fax: + 39 035/958413
<http://www.starline.it> - e-mail: starline@starline.it

STARLINE Armaturen GmbH
Adam - Opel - Strasse, 11
D-64569 Nauheim
Phone: +49 (0) 6152 987 655
Fax: +49 (0) 6152 987 656
e-mail: info@starline-armaturen.de
<http://www.starline-armaturen.de>

STARLINE BALL VALVES LTD
Tejfor Way
Stephenson Ind. Est.
Coalville Leicestershire LE67 3HE
Phone: +44 1530 815 818
Fax: +44 1530 815 819
e-mail: Starline@cvvalves.co.uk
<http://www.cvalves.co.uk>

STARLINE FRANCE
7, Parc d'Activites
de la Verdriere
13880 VELAUX - France
Phone: +33 442878400
Fax: +33 442878404
e-mail: infos@starline.fr
<http://www.starline.fr>

STARLINE IBERICA S.A.
C/Rec Del Molinar, 9
Poligono Industrial El Circuit
E - 08160 Montmeló (Barcelona) - España
Phone: +34 93 579 93 70
Fax: +34 93 579 92 44
e-mail: starline@starline.es
<http://www.starline.es>

STARLINE VALVES OY
Martinkylantie, 39
Fin - 01720 Vantaa
Finland
Phone: +35 998787711
Fax: +35 998787221
e-mail: starline@starline.fi
<http://www.starline.fi>