

BVT34, BVL34 - 3-way ball valve (stainless steel) Rp 1/4"- 2"

Description

3-way stainless steel ball valve PN 63, DN 10-50 (1/4"- 2") with reduced bore and top flange for mounting of actuator

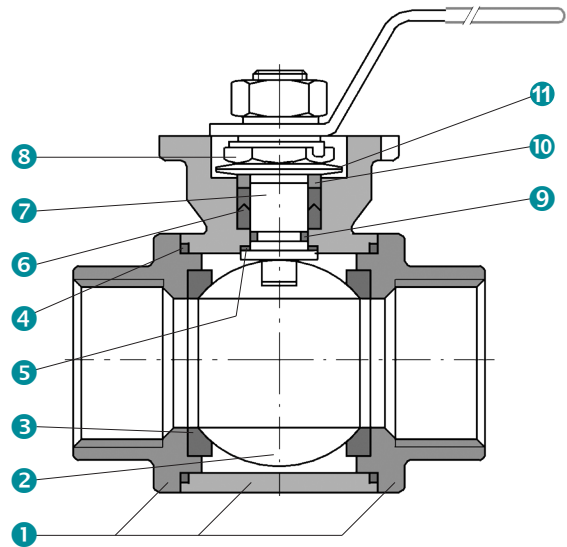
Product features

- Connection DIN EN 10226-1 (DIN 2999)
 - Max. working pressure 63 bar
 - Temperature range -20°C + 160°C, Versions for lower temperatures on request
- The ball valves BVT meet the safety requirements of the pressure Equipments Directive 2014/68/EU (PED) appendix 1 for fluids of the groups 1 and 2.

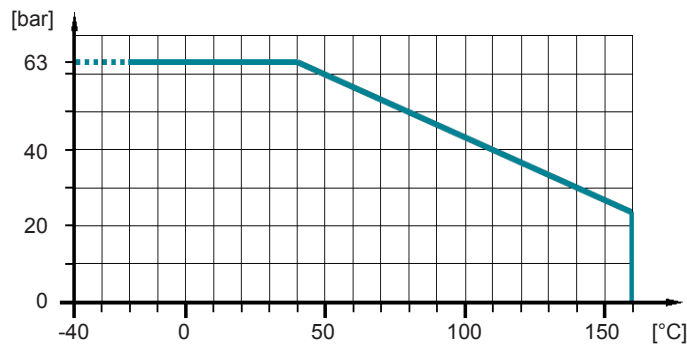


Construction

1	Body	1.4408 (CF8M)
2	Ball	AISI 316 (1.4401)
3	Seat ring (4 pcs)	PTFE
4	Seal ring	PTFE
5	Washer	PTFE
6	Stem seal self-adjusting with disc spring	PTFE
7	Stem	AISI 316 (1.4401)
8	Gland nut	AISI 304 (1.4301)
9	Seal ring	Viton®
10	Gland ring	AISI 304 (1.4301)
11	Bevel washer	Spring steel



Pressure / temperature diagram



For temperatures >100°C a mounting bracket with adapter is mounted between ball valve and actuator.



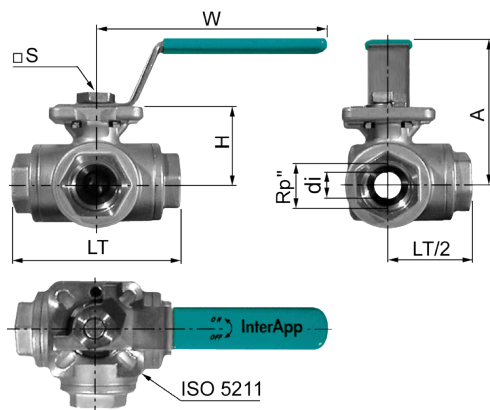
BVT34, BVL34 - 3-way ball valve (stainless steel) Rp ¼"- 2"

Type code

BVT	34	RT	014	SST
1	2	3	4	5

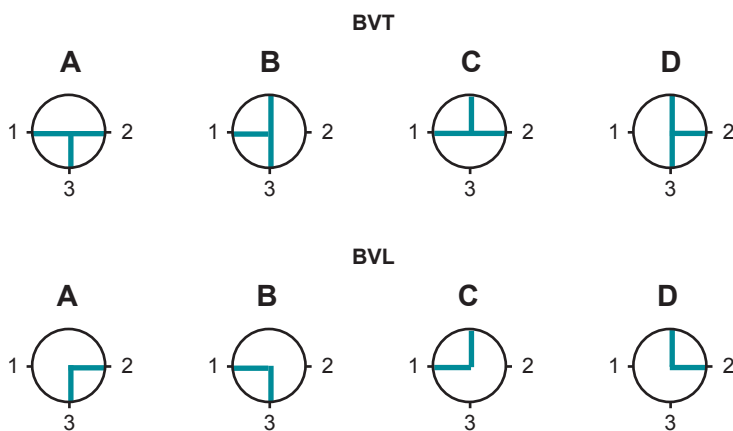
1 Type	BVT	ball valve with T-bore	
	BVL	ball valve with L-bore	
2 Construction	34	3 ways, 4-piece body	
3 Bore, connection	R	Reduced bore	
	T	Threaded connection	
4 Size	014-	Rp ¼" -	
	200	Rp 2"	
5 Materials	S	Body stainless steel	1.4408 (CF8M)
	S	Ball stainless steel	AISI 316 (1.4401)
	T	Seat ring	PTFE

Dimensions



Type	Rp"	DN	di	LT	H	S	A	W	ISO	kg
BV...014	¼	8	11,6	80	36	9	73	114	F03+04	0,5
BV...038	⅜	10	12,7	80	36	9	73	114	F03+04	0,5
BV...012	½	15	12	80	36	9	73	114	F03+04	0,8
BV...034	¾	20	15	87,5	42	11	78	133	F04+05	1,0
BV...100	1	25	20	100	47	11	83	133	F04+05	1,5
BV...114	1¼	32	25	123	52	11	92	187	F04+05	2,0
BV...112	1½	40	32	142	58	11	98	187	F04+05	3,0
BV...200	2	50	40	171	66	14	126	187	F05+07	5,0

Possible ball positions



Kv values m³/h

Type	BVL	BVT	BVT
BV...014	6	7	5
BV...038	6	7	5
BV...012	9	11	7
BV...034	17	22	15
BV...100	26	29	19
BV...114	40	46	35
BV...112	60	72	46
BV...200	114	136	83