

# Vane motors LZB 33

## Lubrication free versions LZB 33L

**0.23 – 0.39 kW**  
**0.31 – 0.52 hp**

For EX certification according to the ATEX directive (Ex II 2G T5 IIC D85°C) use Ordering No. 9834 1108 00 (book as one delivery together with motor). EX certification valid for fixtured mounted use only.



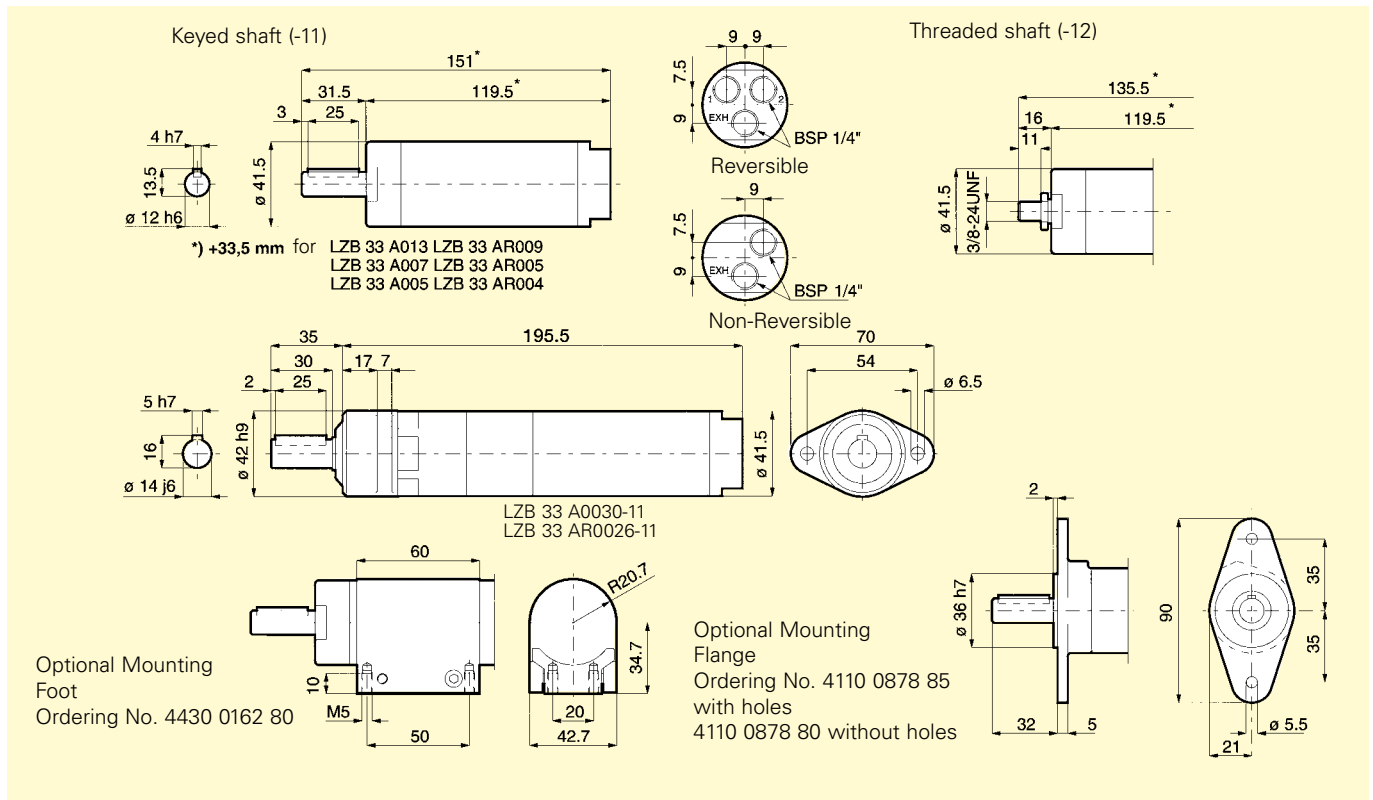
### Data at air pressure 6.3 bar (91psi)

Ordering No.						Max output		Speed at max output r/min	Torque at max output		Min starting torque		Air cons. at max output		Weight		Shaft loading code <sup>2)</sup>	
Type <sup>1)</sup>	Keyed Shaft	Threaded Shaft	Type	Keyed Shaft	Threaded Shaft	kW	hp		Nm	lbf.ft	Nm	lbf. ft	Free speed r/min	l/s	cfm	kg		lb
<b>Clockwise rotation</b>																		
<b>Standard</b>			<b>Lubrication free</b>															
<b>LZB 33</b>			<b>LZB 33L</b>															
A210-	8411 0301 51	8411 0302 50	A210-	8411 0306 07	8411 0306 80	0.39	0.52	9400	0.40	0.30	0.76	0.56	20000	8.3	17.6	0.75	1.65	c
A060-	8411 0301 44	8411 0302 43	A060-	8411 0306 15	8411 0306 98	0.39	0.52	2600	1.4	1.0	2.7	2.0	5600	8.3	17.6	0.75	1.65	c
A033-	8411 0301 36	8411 0302 35	A033-	8411 0306 23	8411 0307 06	0.39	0.52	1460	2.6	1.9	4.9	3.6	3100	8.3	17.6	0.75	1.65	c
A026-	8411 0301 28	8411 0302 27	A026-	8411 0306 31	8411 0307 14	0.39	0.52	1180	3.2	2.3	6.1	4.5	2500	8.3	17.6	0.75	1.65	c
A013-	8411 0301 10	8411 0302 19	A013-	8411 0306 49	8411 0307 22	0.38	0.51	580	6.3	4.6	12.0	8.9	1230	8.3	17.6	1.02	2.25	c
A007-	8411 0301 02	8411 0302 01	A007-	8411 0306 56	8411 0307 30	0.38	0.51	320	11.3	8.4	21.6	15.9	680	8.3	17.6	1.02	2.25	c
A005-	8411 0301 69	8411 0302 68	A005-	8411 0306 64	8411 0307 48	0.38	0.51	259	14.0	10.3	26.8	19.8	550	8.3	17.6	1.02	2.25	c
A0030-	8411 0301 77	-	A0030-	8411 0306 72	-	0.36	0.48	160	21.5	15.9	40.7	30.0	340	8.3	17.6	1.50	3.31	d
<b>Reversible</b>																		
<b>LZB 33</b>			<b>LZB 33L</b>															
AR150-	8411 0303 59	-	AR150-	8411 0307 63	-	0.24	0.32	7000	0.34	0.25	0.46	0.34	14000	7.8	16.5	0.75	1.65	c
AR043-	8411 0303 42	-	AR043-	8411 0307 71	-	0.24	0.32	1960	1.2	0.89	1.6	1.2	3840	7.8	16.5	0.75	1.65	c
AR024-	8411 0303 34	-	AR024-	8411 0307 89	-	0.24	0.32	1090	2.1	1.6	3.0	2.2	2090	7.8	16.5	0.75	1.65	c
AR019-	8411 0303 26	-	AR019-	8411 0307 97	-	0.24	0.32	880	2.7	2.0	3.7	2.7	1760	7.8	16.5	0.75	1.65	c
AR009-	8411 0303 18	-	AR009-	8411 0308 05	-	0.23	0.31	435	4.9	3.6	7.0	5.2	840	7.8	16.5	1.02	2.25	c
AR005-	8411 0303 00	-	AR005-	8411 0308 13	-	0.23	0.31	240	9.1	6.7	12.6	9.3	480	7.8	16.5	1.02	2.25	c
AR004-	8411 0303 67	-	AR004-	8411 0308 21	-	0.23	0.31	190	11.4	8.4	15.6	11.5	385	7.8	16.5	1.02	2.25	c
AR0026-	8411 0303 75	-	AR0026-	8411 0308 70	-	0.23	0.31	120	18.3	13.5	20.0	14.8	240	7.8	16.5	1.50	3.31	d

<sup>1)</sup> Suffix: -11 = Keyed Shaft -12 = Threaded Sha 8411 ft. <sup>2)</sup> For Shaft loading curves, see page 12.

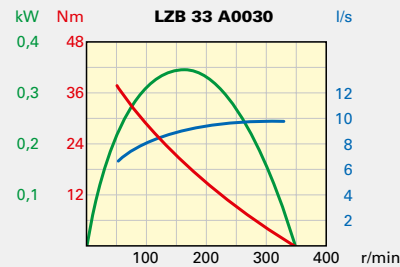
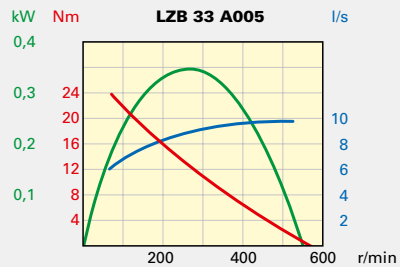
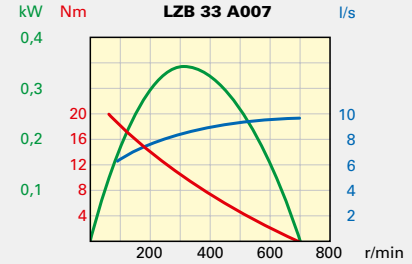
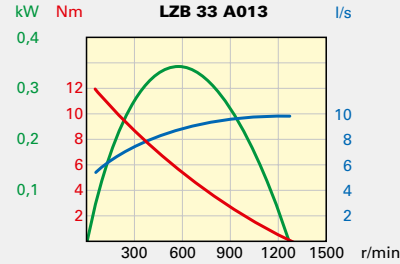
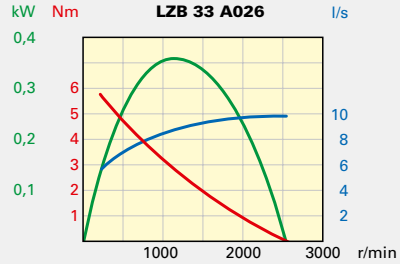
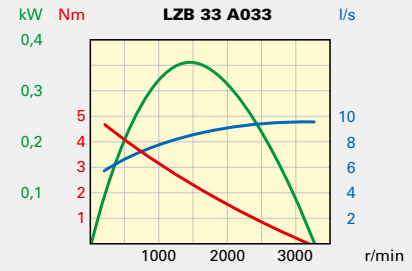
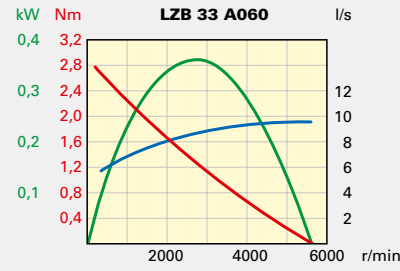
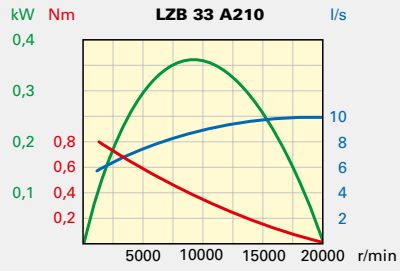
NOTE: The lubrication free motors have 95% of 8411 f shown free speed.

### Dimensions (mm)

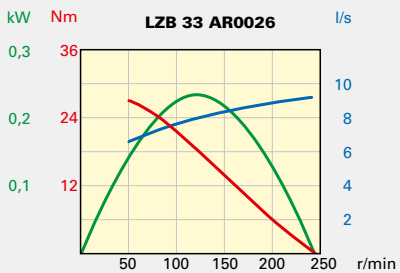
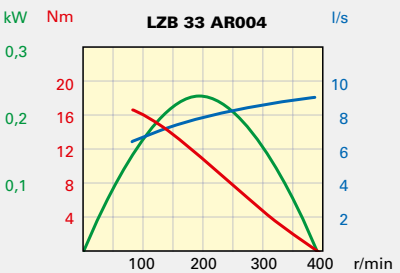
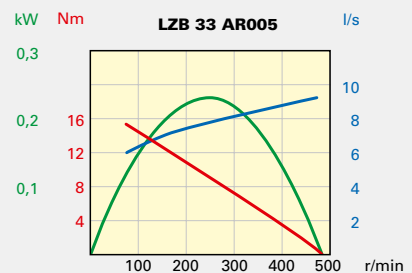
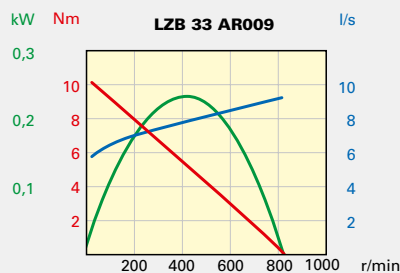
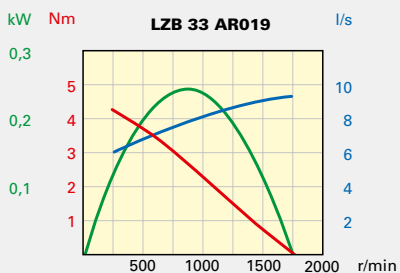
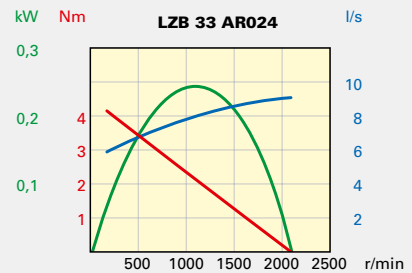
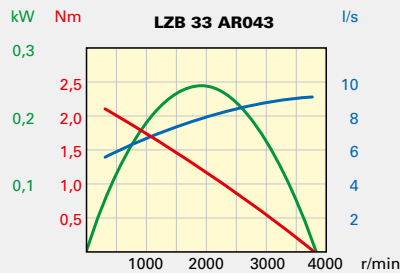
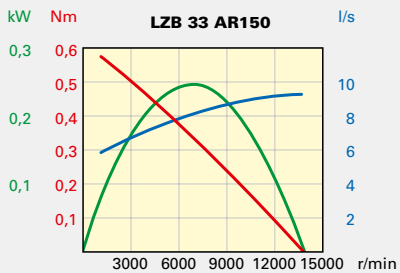


**LZB 33, LZB 34R Performance curves at air pressure 6.3 bar (91psi)**

**Non-Reversible**



**Reversible**



**Conversion factors\*)**  
 1 kW = 1.34 hp  
 1 Nm = 0.74 lbf-ft  
 1 l/s = 2.1 cfm

1 hp = 0.75 kW  
 1 lbf-ft = 1.36 Nm  
 1 cfm = 0.47 l/s

\*) For more details, see page 7.

# Stainless steel vane motors LZB 34R Lubrication free versions LZB 34RL

**0.23 – 0.39 kW**  
**0.31 – 0.52 hp**

For EX certification according to the ATEX directive (Ex II 2G T5 IIC D85°C) use Ordering No. 9834 1108 00 (book as one delivery together with motor).

The material used in the back head, casing and front part is stainless steel with the designation: ISO 683/XIII Type 17, SS 142346, DIN 17440 X12CrNiS188. The material used in the outgoing shaft and gear rim has the designation: ISO 683/XIII Type 9b, SS 142321, DIN 17440 X22CrNi17.



## Data at air pressure 6.3 bar (91psi)

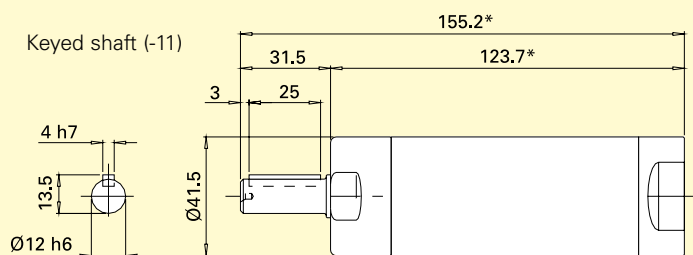
Designation Lubricated	Ordering No.	Designation Lubrication free	Ordering No.	Max output		Speed at max output r/min	Torque at max output		Min starting torque		Free speed r/min	Air cons. at max output		Weight		Shaft loading code <sup>1)</sup>
				kW	hp		Nm	lbf. ft	Nm	lbf. ft		l/s	cfm	kg	lb	
<b>Clockwise rotation</b>																
<b>LZB 34R</b>				<b>LZB 34RL</b>												
A210-11	8411 0337 00	A210-11	8411 0338 41	0.39	0.52	9400	0.40	0.30	0.76	0.56	20000	8.3	17.6	0.95	1.65	c
A060-11	8411 0337 18	A060-11	8411 0338 58	0.39	0.52	2600	1.4	1.0	2.7	2.0	5600	8.3	17.6	0.95	1.65	c
A033-11	8411 0337 26	A033-11	8411 0338 66	0.39	0.52	1460	2.6	1.9	4.9	3.6	3100	8.3	17.6	0.95	1.65	c
A026-11	8411 0337 34	A026-11	8411 0338 74	0.39	0.52	1180	3.2	2.3	6.1	4.5	2500	8.3	17.6	0.95	1.65	c
A013-11	8411 0337 42	A013-11	8411 0338 82	0.38	0.51	580	6.3	4.6	12.0	8.9	1230	8.3	17.6	1.2	2.25	c
A007-11	8411 0337 59	A007-11	8411 0338 90	0.38	0.51	320	11.3	8.4	21.6	15.9	680	8.3	17.6	1.2	2.25	c
A005-11	8411 0337 67	A005-11	8411 0339 08	0.38	0.51	259	14.0	10.3	26.8	19.8	550	8.3	17.6	1.2	2.25	c
<b>Reversible</b>																
<b>LZB 34R</b>				<b>LZB 34RL</b>												
AR150-11	8411 0337 75	AR150-11	8411 0339 16	0.24	0.32	7000	0.34	0.25	0.46	0.34	14000	7.8	16.5	0.95	1.65	c
AR043-11	8411 0337 83	AR043-11	8411 0339 24	0.24	0.32	1960	1.2	0.89	1.6	1.2	3840	7.8	16.5	0.95	1.65	c
AR024-11	8411 0337 91	AR024-11	8411 0339 32	0.24	0.32	1090	2.1	1.6	3.0	2.2	2090	7.8	16.5	0.95	1.65	c
AR019-11	8411 0338 09	AR019-11	8411 0339 40	0.24	0.32	880	2.7	2.0	3.7	2.7	1500	7.8	16.5	0.95	1.65	c
AR009-11	8411 0338 17	AR009-11	8411 0339 57	0.23	0.31	435	4.9	3.6	7.0	5.2	840	7.8	16.5	1.2	2.25	c
AR005-11	8411 0338 27	AR005-11	8411 0339 65	0.23	0.31	240	9.1	6.7	12.6	9.3	480	7.8	16.5	1.2	2.25	c
AR004-11	8411 0338 33	AR004-11	8411 0339 73	0.23	0.31	190	11.4	8.4	15.6	11.5	385	7.8	16.5	1.2	2.25	c

<sup>1)</sup> For Shaft loading curves, see page 12.

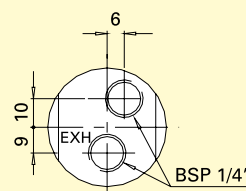
Performance curves are given on page 23. NOTE: The lubrication free motors have 95% of shown free speed.

## Dimensions (mm)

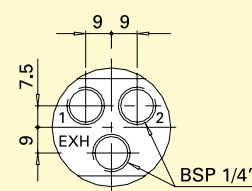
Conversion factor 1mm = 0.04 inch



Non-Reversible

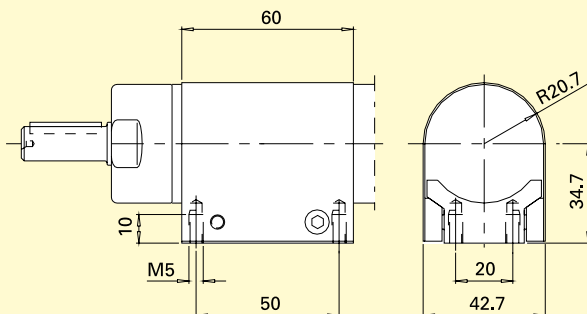


Reversible

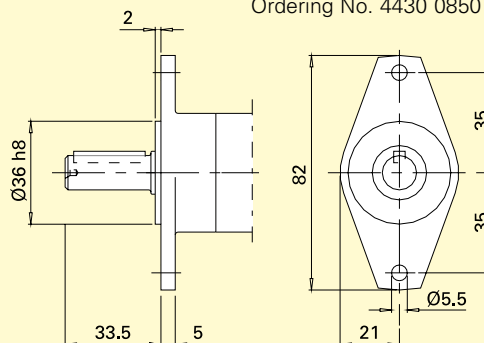


\* +34.5 mm for LZB 34R A011 LZB 34R AR009  
LZB 34R A008 LZB 34R AR005  
LZB 34R A005 LZB 34R AR004

Optional Mounting  
Foot  
Ordering No. 4430 0855 80



Optional Mounting  
Flange  
Ordering No. 4430 0850 80



# Vane motors LZB 33 LR, LZB 34R LR

## Low speed reversible

**Maximum permitted torque 14 Nm (10.3 lbf.ft)**

For EX certification according to the ATEX directive (Ex II 2GT5 IIC D85°C) use Ordering No. 9834 1108 00 (book as one delivery together with motor). EX certification for LZB 33 LR valid for fixtured mounted use only. For applications where low speed and high torque are required the LZB 33 high torque/low speed motors should be considered, see page 26. Within their working range these motors have a very steep torque curve. Speed and air consumption is relatively constant regardless of the load.

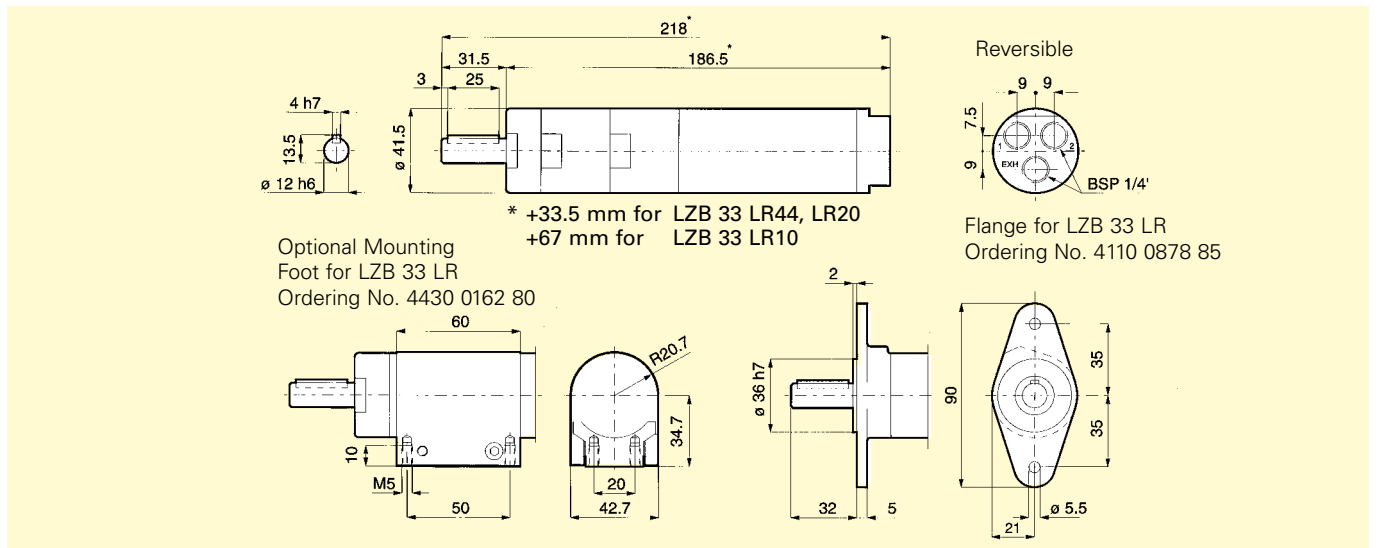


### Data at air pressure 6.3 bar (91 psi)

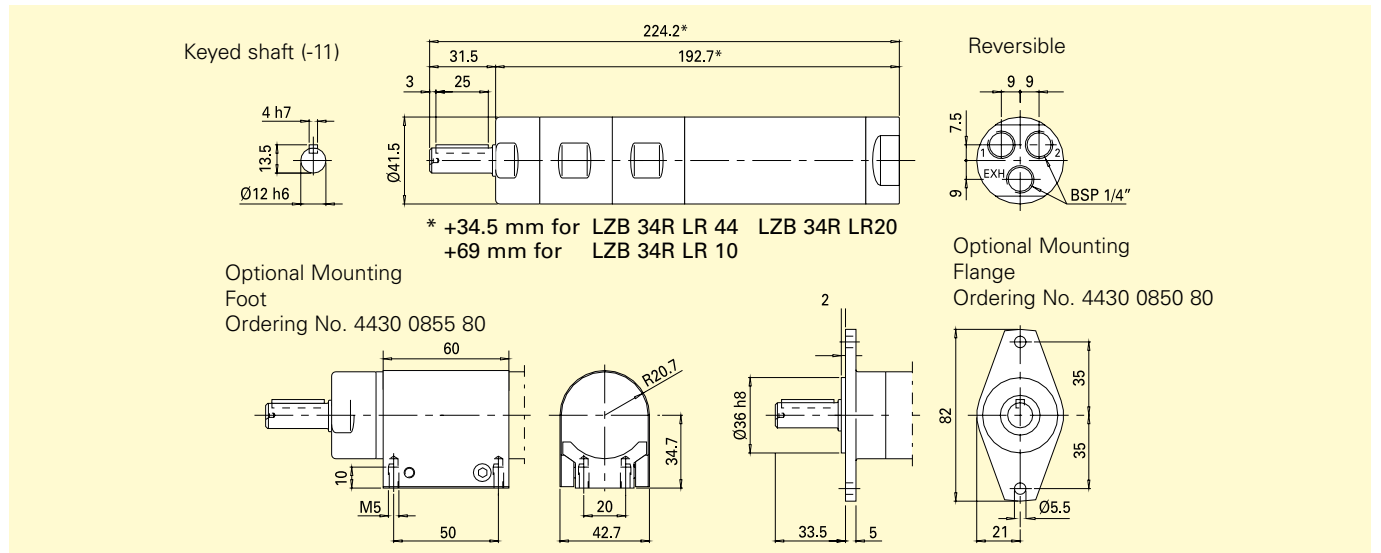
Designation Lubricated	Ordering No.	Designation Lubrication free	Ordering No.	Free speed r/min	Air consumption		Weight		Shaft loading code <sup>1)</sup>
					l/s	cfm	kg	lb	
LZB 33 LR200-11	8411 0314 31	LZB 33L LR200-11	8411 0308 62	200	9.9	21.0	1.25	2.78	c
LZB 33 LR44-11	8411 0314 23	LZB 33L LR44-11	8411 0308 54	44	9.9	21.0	1.55	3.44	c
<b>LZB 33 LR20-11</b>	8411 0314 15	LZB 33L LR20-11	8411 0308 47	20	9.9	21.0	1.55	3.44	c
LZB 33 LR10-11	8411 0314 07	LZB 33L LR10-11	8411 0308 39	10	9.9	21.0	1.80	4.00	c
<b>Stainless steel</b>									
LZB 34R LR200-11	8411 0343 02	LZB 34RL LR200-11	8411 0343 44	200	9.9	21.0	1.45	2.78	c
LZB 34R LR44-11	8411 0343 10	LZB 34RL LR44-11	8411 0343 51	44	9.9	21.0	1.75	3.44	c
LZB 34R LR20-11	8411 0343 28	LZB 34RL LR20-11	8411 0343 69	20	9.9	21.0	1.75	3.44	c
LZB 34R LR10-11	8411 0343 36	LZB 34RL LR10-11	8411 0343 77	10	9.9	21.0	2.0	4.00	c

<sup>1)</sup> For Shaft loading curves, see page 12.

### Dimensions LZB 33 LR (mm)



### Dimensions LZB 34R LR (mm)



### Optional accessories

# High torque LZB 33 vane motors

## Lubrication free versions LZB 33L

**0.23 – 0.36 kW**  
**0.31 – 0.49 hp**

For EX certification according to the ATEX directive (Ex II 2G T5 IIC D85°C) use Ordering No. 9834 1108 00 (book as one delivery together with motor). EX certification valid for fixtured mounted use only.



### Data at air pressure 6.3 bar (91psi)

Designation Lubricated	Ordering No.	Designation Lubrication free	Ordering No.	Max output		Speed at max output r/min	Torque at max output		Min starting torque		Free speed r/min	Air cons. at max output		Weight		Shaft loading code <sup>1)</sup>
				kW	hp		Nm	lbf.ft	Nm	lbf. ft		l/s	cfm	kg	lb	
<b>Clockwise rotation</b>																
<b>LZB 33</b>				<b>LZB 33L</b>												
A0020-11	8411 0320 09	A0020-11	8411 0322 07	0.36	0.49	104	33	24	66	49	212	8.3	17.6	2.6	5.8	g
A0015-11	8411 0320 17	A0015-11	8411 0322 15	0.36	0.49	77	44	32	90	66	156	8.3	17.6	2.6	5.8	g
A0011-11	8411 0320 25	A0011-11	8411 0322 23	0.36	0.49	58	59	44	118	87	118	8.3	17.6	2.6	5.8	g
A0008-11	8411 0320 33	A0008-11	8411 0322 31	0.36	0.49	43	79	58	158	117	87	8.3	17.6	2.6	5.8	g
A0007-11	8411 0320 41	A0007-11	8411 0322 49	0.36	0.49	34	100	74	200	147	70	8.3	17.6	2.6	5.8	g
A0005-11	8411 0320 58	A0005-11	8411 0322 56	0.36	0.49	25	137	101	274	202	52	8.3	17.6	5.0	11.1	h
A0004-11	8411 0320 66	A0004-11	8411 0322 64	0.36	0.49	19	180	133	360	265	38	8.3	17.6	5.0	11.1	h
A0003-11	8411 0320 74	A0003-11	8411 0322 72	0.36	0.49	14	245	181	490	361	29	8.3	17.6	5.0	11.1	h
A0002-11	8411 0320 82	A0002-11	8411 0322 80	0.36	0.49	10	340	251	680	501	21	8.3	17.6	5.0	11.1	h
<b>Reversible</b>																
<b>LZB 33</b>				<b>LZB 33L</b>												
AR0015-11	8411 0321 08	AR0015-11	8411 0323 06	0.23	0.31	71	31	23	41	30	143	8.5	18.0	2.6	5.8	g
AR0011-11	8411 0321 16	AR0011-11	8411 0323 14	0.23	0.31	53	42	31	56	41	105	8.5	18.0	2.6	5.8	g
AR0008-11	8411 0321 24	AR0008-11	8411 0323 22	0.23	0.31	40	55	41	74	55	80	8.5	18.0	2.6	5.8	g
AR0006-11	8411 0321 32	AR0006-11	8411 0323 30	0.23	0.31	29	75	55	100	74	59	8.5	18.0	2.6	5.8	g
AR0005-11	8411 0321 40	AR0005-11	8411 0323 48	0.23	0.31	24	93	69	125	92	48	8.5	18.0	2.6	5.8	g
AR0004-11	8411 0321 57	AR0004-11	8411 0323 55	0.23	0.31	18	125	92	169	125	35	8.5	18.0	5.0	11.1	h
AR0003-11	8411 0321 65	AR0003-11	8411 0323 63	0.23	0.31	13	169	125	230	170	26	8.5	18.0	5.0	11.1	h
AR0002-11	8411 0321 73	AR0002-11	8411 0323 71	0.23	0.31	10	220	162	305	225	20	8.5	18.0	5.0	11.1	h
AR0001-11	8411 0321 81	AR0001-11	8411 0323 89	0.23	0.31	7	305	225	412	304	14	8.5	18.0	5.0	11.1	h

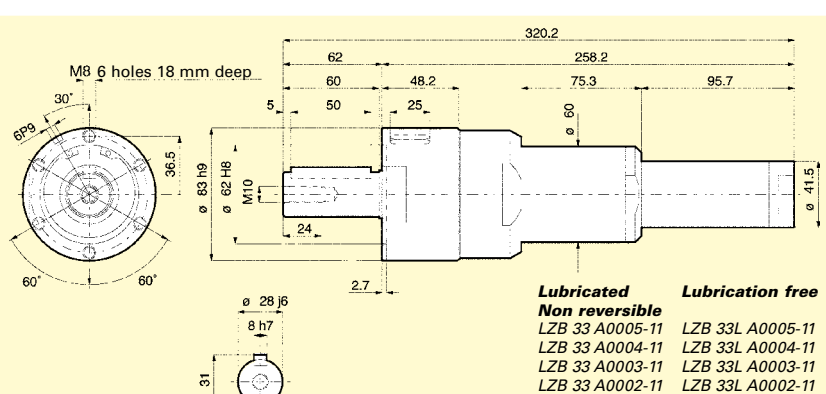
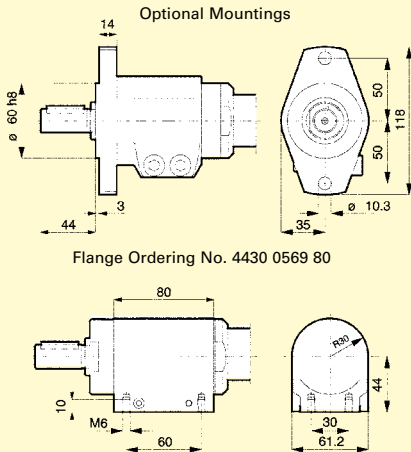
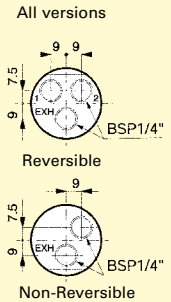
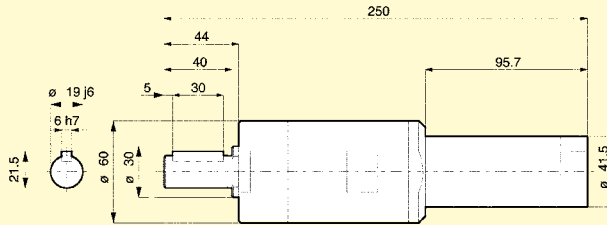
<sup>1)</sup> For Shaft loading curves, see page 12. NOTE: The lubrication free motors have 95% of shown free speed.

### Dimensions (mm)

### Conversion factor 1mm = 0.04 inch

- Lubricated Non reversible**
- LZB 33 A0020-11 LZB 33L A0020-11
  - LZB 33 A0015-11 LZB 33L A0015-11
  - LZB 33 A0011-11 LZB 33L A0011-11
  - LZB 33 A0008-11 LZB 33L A0008-11
  - LZB 33 A0007-11 LZB 33L A0007-11

- Reversible**
- LZB 33 AR0015-11 LZB 33L AR0015-11
  - LZB 33 AR0011-11 LZB 33L AR0011-11
  - LZB 33 AR0008-11 LZB 33L AR0008-11
  - LZB 33 AR0006-11 LZB 33L AR0006-11
  - LZB 33 AR0005-11 LZB 33L AR0005-11



- Lubricated Non reversible**
- LZB 33 A0005-11 LZB 33L A0005-11
  - LZB 33 A0004-11 LZB 33L A0004-11
  - LZB 33 A0003-11 LZB 33L A0003-11
  - LZB 33 A0002-11 LZB 33L A0002-11

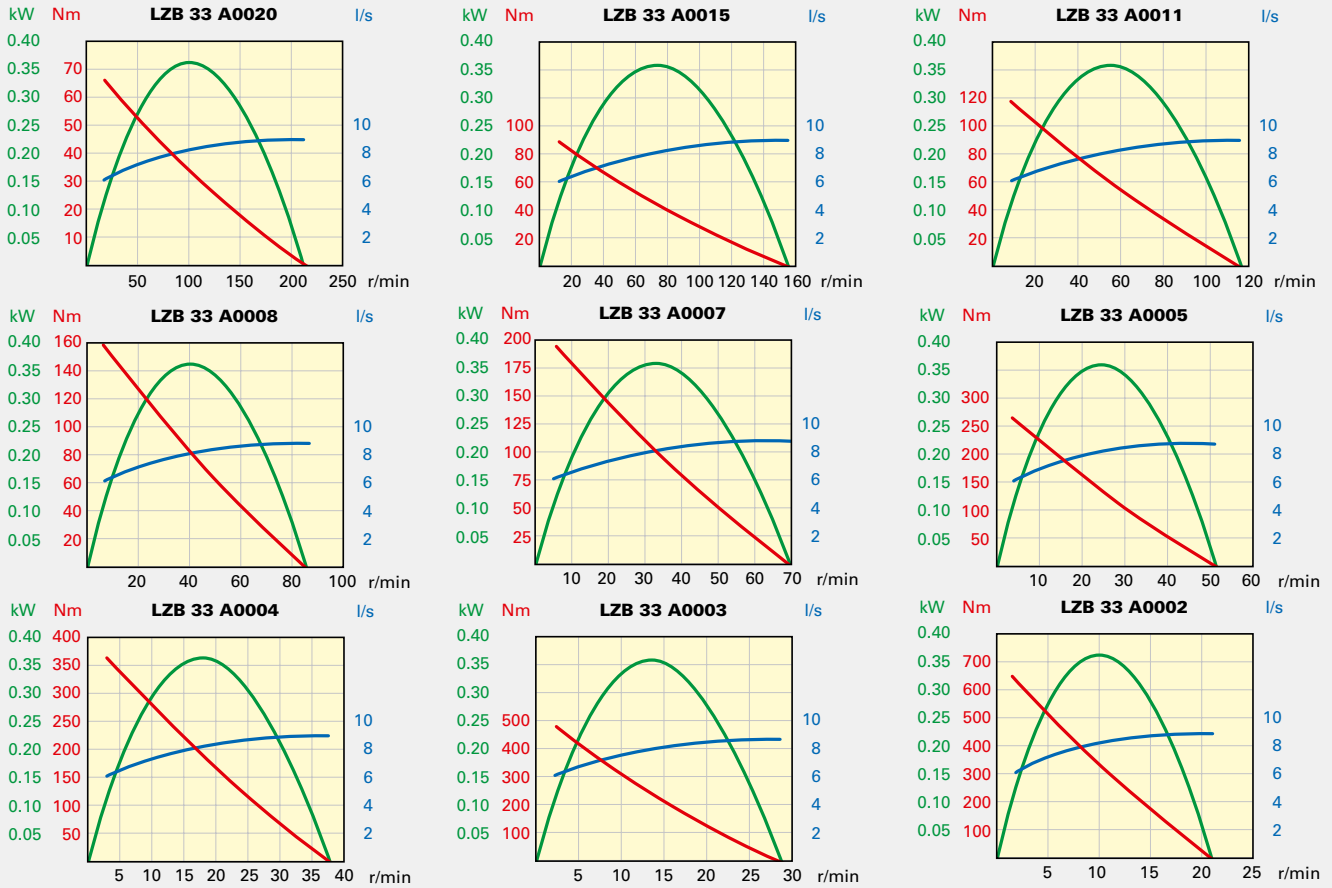
- Reversible**
- LZB 33 AR0004-11 LZB 33L AR0004-11
  - LZB 33 AR0003-11 LZB 33L AR0003-11
  - LZB 33 AR0002-11 LZB 33L AR0002-11
  - LZB 33 AR0001-11 LZB 33L AR0001-11

### Optional accessories

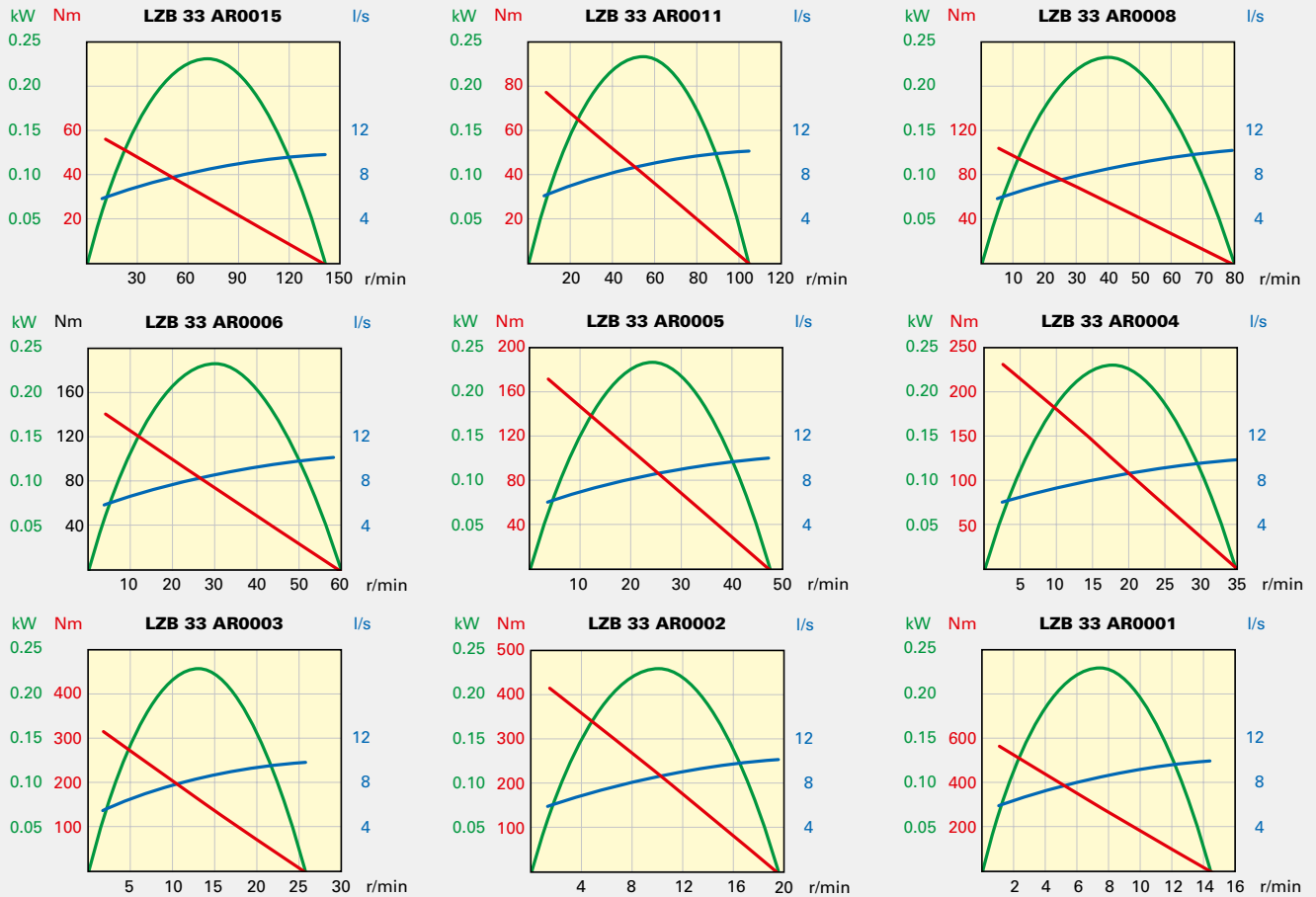
page 46.

**LZB 33 high torque motors Performance curves at 6.3 bar (91 psi)**

*Non-Reversible*



*Reversible*



For information about performance curves, see page 7

Conversion factors see page 23.

# Vane motors LZB 33LB, LZB 34RLB with brake module

## Lubrication free and reversible

**0.23-0.24 kW**  
**0.31-0.32 hp**

Braking torque from 0.55–520 Nm.

The brake is activated by spring force and released by air pressure.

For EX certification according to the ATEX directive (Ex II 2GT5 IIC D85°C) use Ordering No. 9834 1108 00 (book as one delivery together with motor).

EX certification valid for fixtured mounted use only.



### Data at air pressure 6.3 bar (91psi)

Designation	Ordering No.	Max output		Speed at max output r/min	Torque at max output		Min starting torque		Braking torque		Free speed r/min	Air cons. at max output		Weight		Shaft loading code <sup>1)</sup>
		kW	hp		Nm	lbf. ft	Nm	lbf. ft	Nm	lbf. ft		l/s	cfm	kg	lb	
LZB 33LB AR150-11	8411 0340 05	0.24	0.32	7000	0.34	0.25	0.46	0.34	0.55	0.40	14000	7.8	16.5	1.35	2.97	c
LZB 33LB AR043-11	8411 0340 13	0.24	0.32	1960	1.2	0.89	1.6	1.2	2.0	1.5	3840	7.8	16.5	1.35	2.97	c
LZB 33LB AR024-11	8411 0340 21	0.24	0.32	1090	2.1	1.6	3.0	2.2	3.5	2.6	2090	7.8	16.5	1.35	2.97	c
LZB 33LB AR019-11	8411 0340 39	0.24	0.32	880	2.7	2.0	3.7	2.7	4.4	3.2	1760	7.8	16.5	1.35	2.97	c
LZB 33LB AR009-11	8411 0340 47	0.23	0.31	435	4.9	3.6	7.0	5.2	8.9	6.6	840	7.8	16.5	1.63	3.59	c
LZB 33LB AR005-11	8411 0340 54	0.23	0.31	240	9.1	6.7	12.6	9.3	16	12	480	7.8	16.5	1.63	3.59	c
LZB 33LB AR004-11	8411 0340 62	0.23	0.31	190	11.4	8.4	15.6	11.5	20	15	385	7.8	16.5	1.63	3.59	c
LZB 33LB AR0026-11	8411 0340 70	0.23	0.31	120	18.3	13.5	20.0	14.8	32	24	240	7.8	16.5	2.1	4.6	d
LZB 33LB AR0015-11	8411 0340 88	0.23	0.31	71	31	23	41	30	52	38	143	8.5	18.0	3.2	7.0	g
LZB 33LB AR0011-11	8411 0340 96	0.23	0.31	53	42	31	56	41	71	52	105	8.5	18.0	3.2	7.0	g
LZB 33LB AR0008-11	8411 0341 04	0.23	0.31	40	55	41	74	55	93	67	80	8.5	18.0	3.2	7.0	g
LZB 33LB AR0006-11	8411 0341 12	0.23	0.31	29	75	55	100	74	130	95	59	8.5	18.0	3.2	7.0	g
LZB 33LB AR0005-11	8411 0341 20	0.23	0.31	24	93	69	125	92	160	120	48	8.5	18.0	3.2	7.0	g
LZB 33LB AR0004-11	8411 0341 38	0.23	0.31	18	125	92	169	125	210	160	35	8.5	18.0	5.6	12.3	h
LZB 33LB AR0003-11	8411 0341 46	0.23	0.31	13	169	125	230	170	290	210	26	8.5	18.0	5.6	12.3	h
LZB 33LB AR0002-11	8411 0341 53	0.23	0.31	10	220	162	305	225	380	280	20	8.5	18.0	5.6	12.3	h
LZB 33LB AR0001-11	8411 0341 61	0.23	0.31	7	305	225	412	304	520	380	14	8.5	18.0	5.6	12.3	h
<b>Stainless steel</b>																
LZB 34RLB AR150-11	8411 0341 79	0.24	0.32	7000	0.34	0.25	0.46	0.34	0.55	0.40	14000	7.8	16.5	1.39	3.06	c
LZB 34RLB AR043-11	8411 0341 87	0.24	0.32	1960	1.2	0.89	1.6	1.2	2.0	1.5	3840	7.8	16.5	1.39	3.06	c
LZB 34RLB AR024-11	8411 0341 95	0.24	0.32	1090	2.1	1.6	3.0	2.2	3.5	2.6	2090	7.8	16.5	1.39	3.06	c
LZB 34RLB AR019-11	8411 0342 03	0.24	0.32	880	2.7	2.0	3.7	2.7	4.4	3.2	1760	7.8	16.5	1.39	3.06	c
LZB 34RLB AR009-11	8411 0342 11	0.23	0.31	435	4.9	3.6	7.0	5.2	9	6.6	840	7.8	16.5	1.66	3.65	c
LZB 34RLB AR005-11	8411 0342 29	0.23	0.31	240	9.1	6.7	12.6	9.3	16	12	480	7.8	16.5	1.66	3.65	c
LZB 34RLB AR004-11	8411 0342 37	0.23	0.31	190	11.4	8.4	15.6	11.5	20	15	385	7.8	16.5	1.66	3.65	c

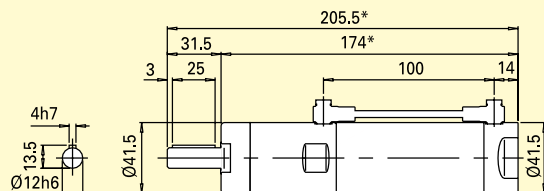
<sup>1)</sup> For Shaft loading curves, see page 12.

The brake needs minimum 3 bar to release. Performance curves are given on page 23 and 27.

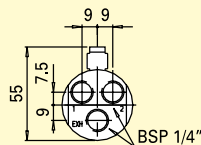
### Dimensions (mm)

Conversion factor 1mm = 0.04 inch

LZB 33LB AR150-11 \* +33.5 mm for LZB 33LB AR009-11 \* +4 mm for LZB 34RLB AR150-11 \* +38.5 mm for LZB 34RLB AR009-11  
 LZB 33LB AR043-11 LZB 33LB AR005-11 LZB 34RLB AR043-11 LZB 34RLB AR005-11  
 LZB 33LB AR024-11 LZB 33LB AR004-11 LZB 34RLB AR024-11 LZB 34RLB AR004-11  
 LZB 33LB AR019-11 LZB 34RLB AR019-11



All versions

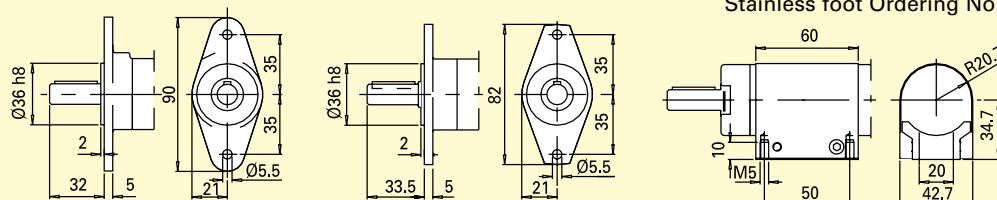


LZB 33LB, Flange Ordering No. 4110 0878 85

LZB 34RLB, Ordering No. 4430 0850 80

Foot ordering No. 4430 0162 80

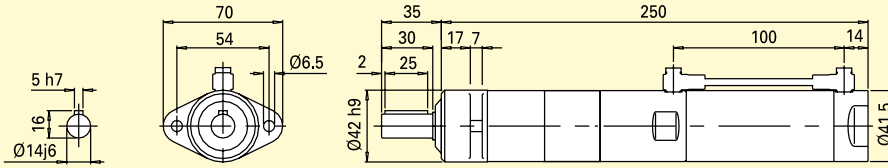
Stainless foot Ordering No. 4430 0855 80



**Dimensions (mm)**

**Conversion factor 1mm = 0.04 inch**

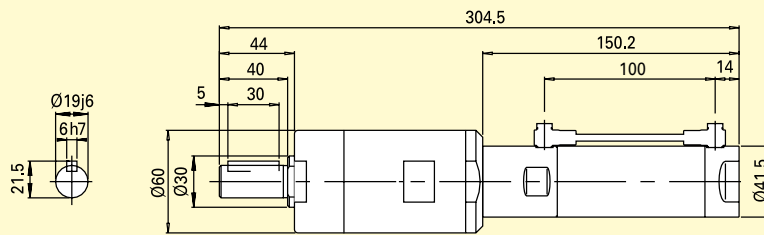
LZB 33LB AR0026-11



**Dimensions (mm)**

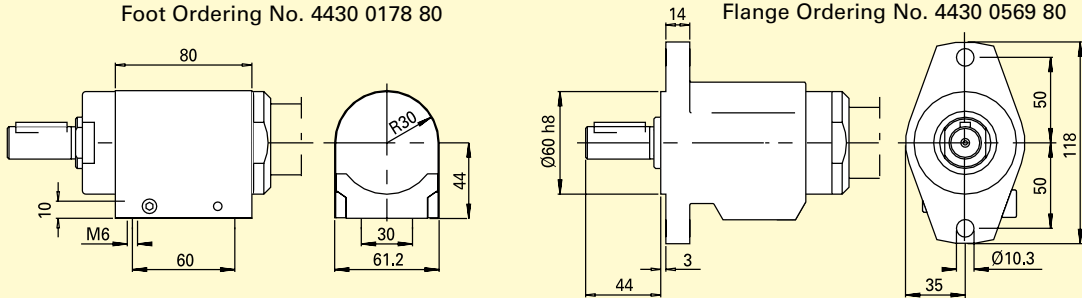
**Conversion factor 1mm = 0.04 inch**

LZB 33LB AR0015-11  
LZB 33LB AR0011-11  
LZB 33LB AR0008-11  
LZB 33LB AR0006-11  
LZB 33LB AR0005-11



Foot Ordering No. 4430 0178 80

Flange Ordering No. 4430 0569 80



**Dimensions (mm)**

**Conversion factor 1mm = 0.04 inch**

LZB 33LB AR0004-11  
LZB 33LB AR0003-11  
LZB 33LB AR0002-11  
LZB 33LB AR0001-11

